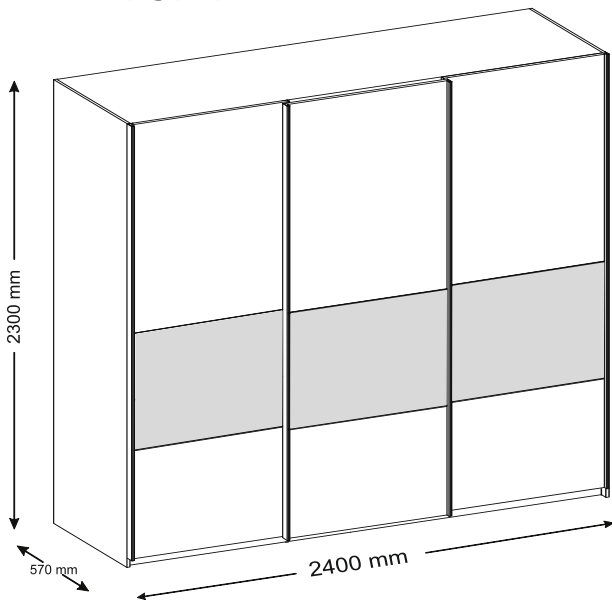
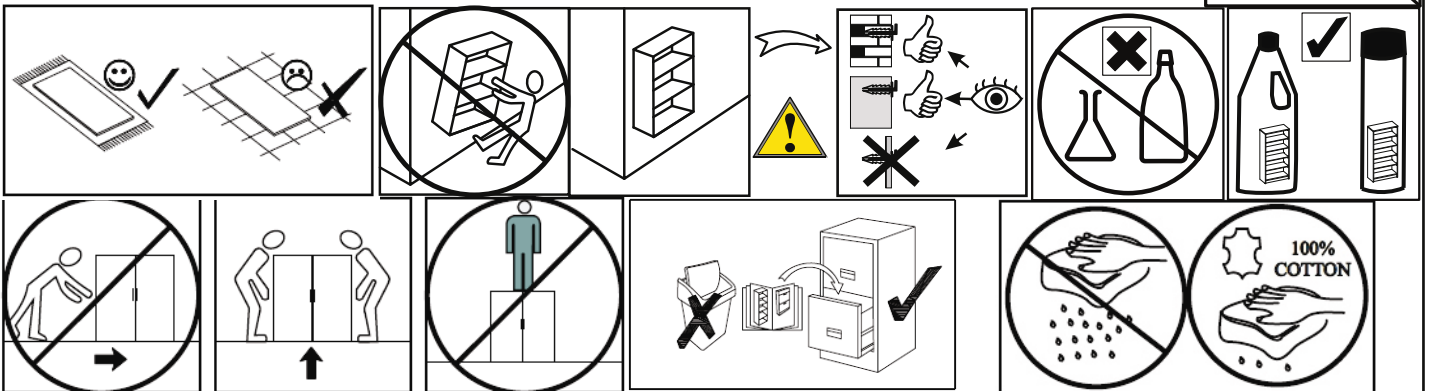
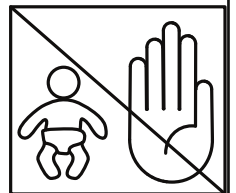
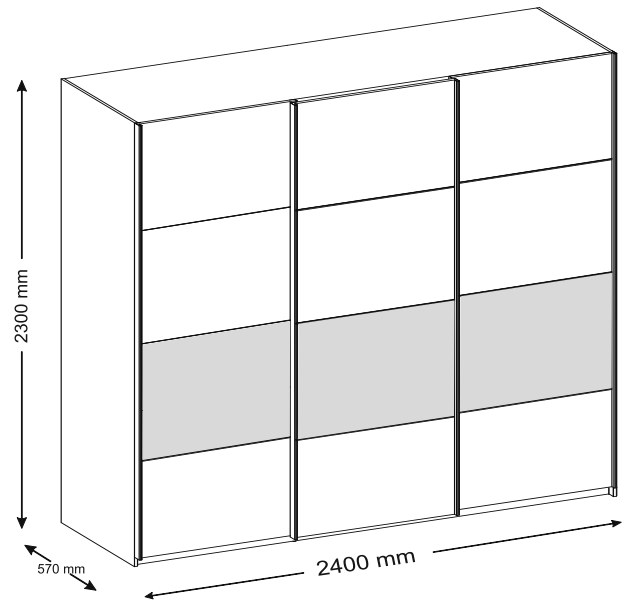
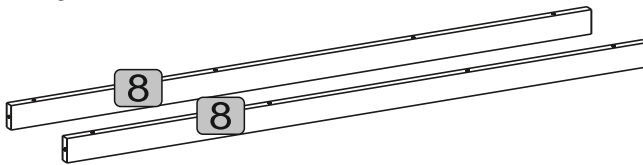
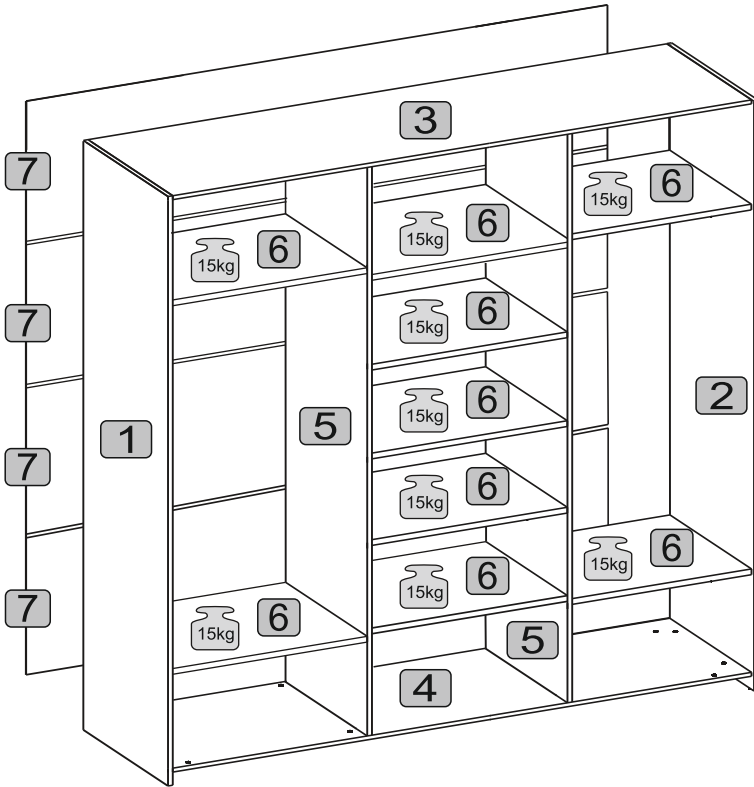


Ver.1

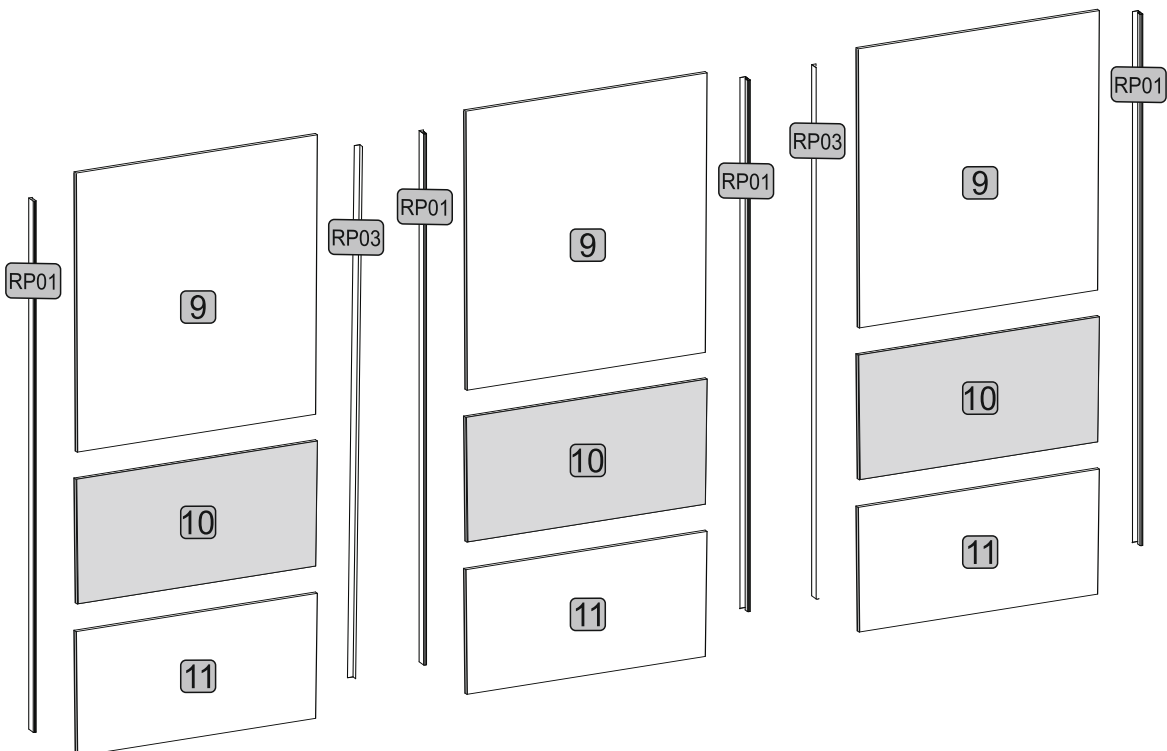
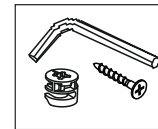


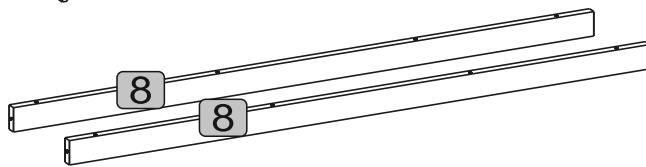
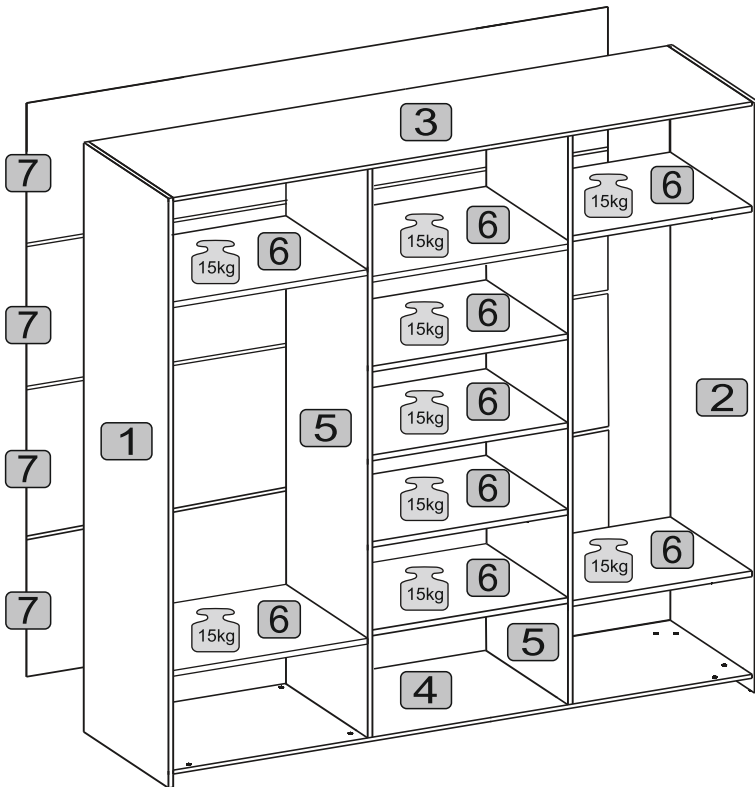
Ver.2



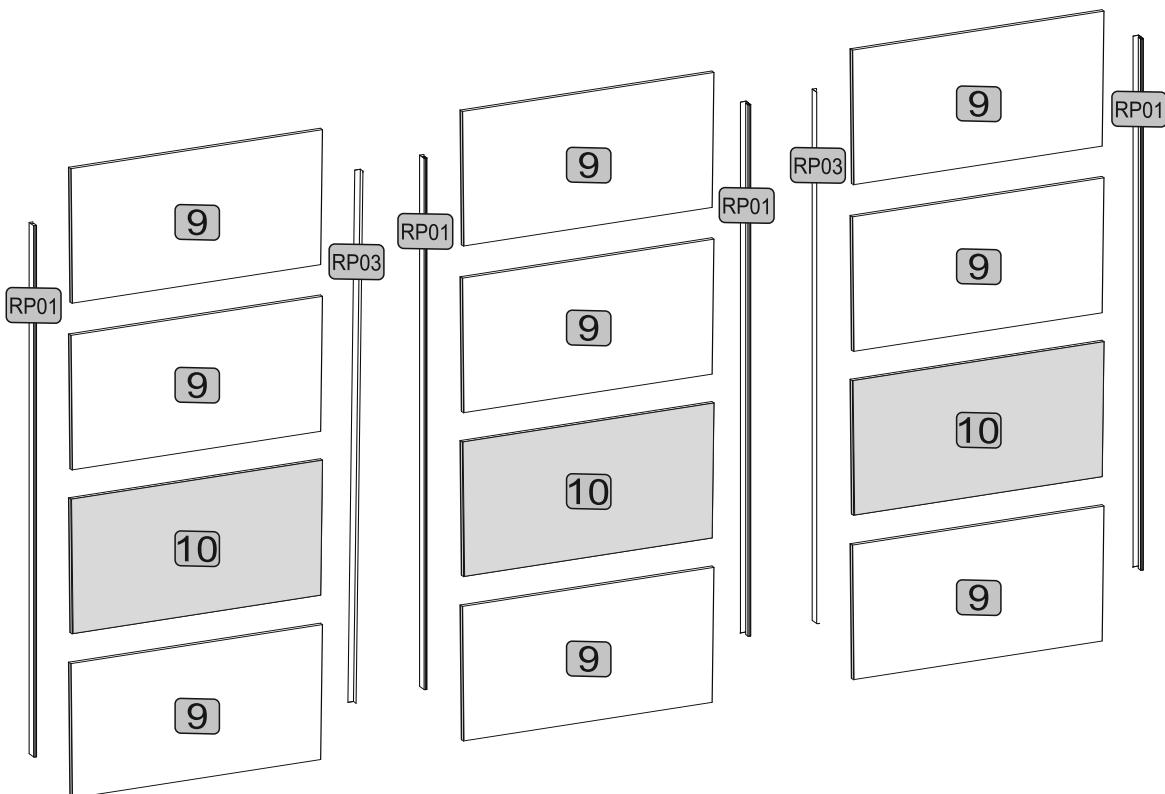
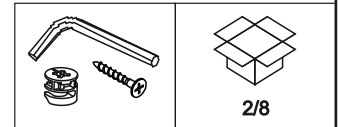


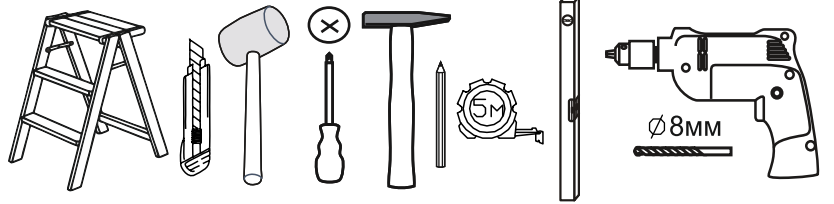
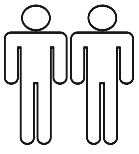
| No | | | | PCS | |
|------|------|------|----|-----|-----|
| 1 | 2288 | 504 | 16 | 1 | 3/8 |
| 2 | 2288 | 504 | 16 | 1 | 3/8 |
| 3 | 2360 | 488 | 16 | 1 | 1/8 |
| 4 | 2360 | 488 | 16 | 1 | 1/8 |
| 5 | 2193 | 485 | 16 | 2 | 3/8 |
| 6 | 776 | 476 | 16 | 9 | 4/8 |
| 7 | 2390 | 555 | 3 | 4 | 1/8 |
| 8 | 2360 | 60 | 16 | 2 | 2/8 |
| 9 | 804 | 1116 | 16 | 1 | 6/8 |
| 9 | 804 | 1116 | 16 | 1 | 7/8 |
| 9 | 804 | 1116 | 16 | 1 | 8/8 |
| 10 | 804 | 558 | 16 | 1 | 6/8 |
| 10 | 804 | 558 | 16 | 1 | 7/8 |
| 10 | 804 | 558 | 16 | 1 | 8/8 |
| 11 | 804 | 558 | 16 | 1 | 6/8 |
| 11 | 804 | 558 | 16 | 1 | 7/8 |
| 11 | 804 | 558 | 16 | 1 | 8/8 |
| NV01 | 2358 | | | 1 | 2/8 |
| NN01 | 2354 | | | 1 | 2/8 |
| SH01 | 770 | | | 2 | 2/8 |
| RP03 | 2232 | | | 2 | 5/8 |
| RP01 | 2232 | | | 4 | 5/8 |
| CH01 | 2500 | | 12 | 2 | 2/8 |
| CH01 | 2500 | | 6 | 2 | 2/8 |
| PS01 | 774 | | | 5 | 2/8 |





| No | | | | PCS | |
|------|------|------|----|-----|-----|
| 1 | 2288 | 504 | 16 | 1 | 3/8 |
| 2 | 2288 | 504 | 16 | 1 | 3/8 |
| 3 | 2360 | 488 | 16 | 1 | 1/8 |
| 4 | 2360 | 488 | 16 | 1 | 1/8 |
| 5 | 2193 | 485 | 16 | 2 | 3/8 |
| 6 | 776 | 476 | 16 | 9 | 4/8 |
| 7 | 2390 | 555 | 3 | 4 | 1/8 |
| 8 | 2360 | 60 | 16 | 2 | 2/8 |
| 9 | 804 | 1116 | 16 | 3 | 6/8 |
| 9 | 804 | 1116 | 16 | 3 | 7/8 |
| 9 | 804 | 1116 | 16 | 3 | 8/8 |
| 10 | 804 | 558 | 16 | 1 | 6/8 |
| 10 | 804 | 558 | 16 | 1 | 7/8 |
| 10 | 804 | 558 | 16 | 1 | 8/8 |
| NV01 | 2358 | | | 1 | 2/8 |
| NN01 | 2354 | | | 1 | 2/8 |
| SH01 | 770 | | | 2 | 2/8 |
| RP03 | 2232 | | | 2 | 5/8 |
| RP01 | 2232 | | | 4 | 5/8 |
| CH01 | 2500 | | 12 | 2 | 2/8 |
| CH01 | 2500 | | 6 | 2 | 2/8 |
| PS01 | 774 | | | 5 | 2/8 |





| | | | | | | |
|------------------------|------------------------|-------------------------|---------------------------|--------------------------|---------------------------|------------------------|
| 6x34 16x T01 | 6x12 36x T02 | 7x50 8x E01 | Ø15 16x D15 | 3,5x16 28x S01 | 3,5x12 132x S02 | 8x12 36x M02 |
| Ø15 36x F15 | 76x32 2x O01 | 4x B01 | 1,6x25 120x N01 | 4MM 1x K4 | 8x30 24x W-30 | 9x C01 |
| Ø4mm 4x Z01 | Ø8mm 8x Z04 | Ø15mm 16x Z02 | 3,5x30 8x S06 | 2x25 5x N02 | 5x N03 | 8x P05 |
| 1x K6 | | | | | | |

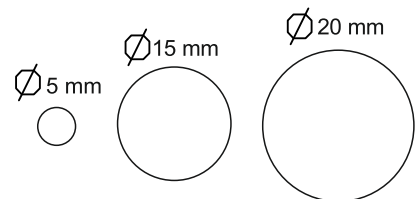
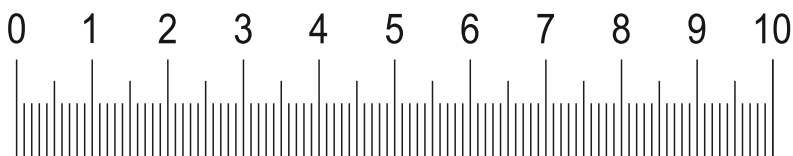
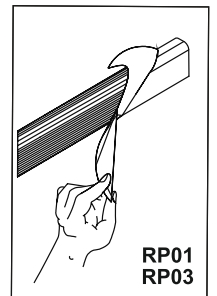
Hettich

| | | | | | | |
|------------------------|----------------|----------------|---------------------------|---------------------------|-----------------------------|----------------|
| 2x FR20 | 2x FR21 | 1x FR22 | 1x FR23 | 2x FR24 | 4x FR25 | 6x FR26 |
| 2x FR27 | 2x FR28 | 2x FR29 | 3,5x25 14x FR32 | 3,5x16 24x FR33 | 6,3x12,5 36x FR34 | 1x FR37 |
| M4x6 2x FR38 | 1x FR39 | | | | | |

Hettich

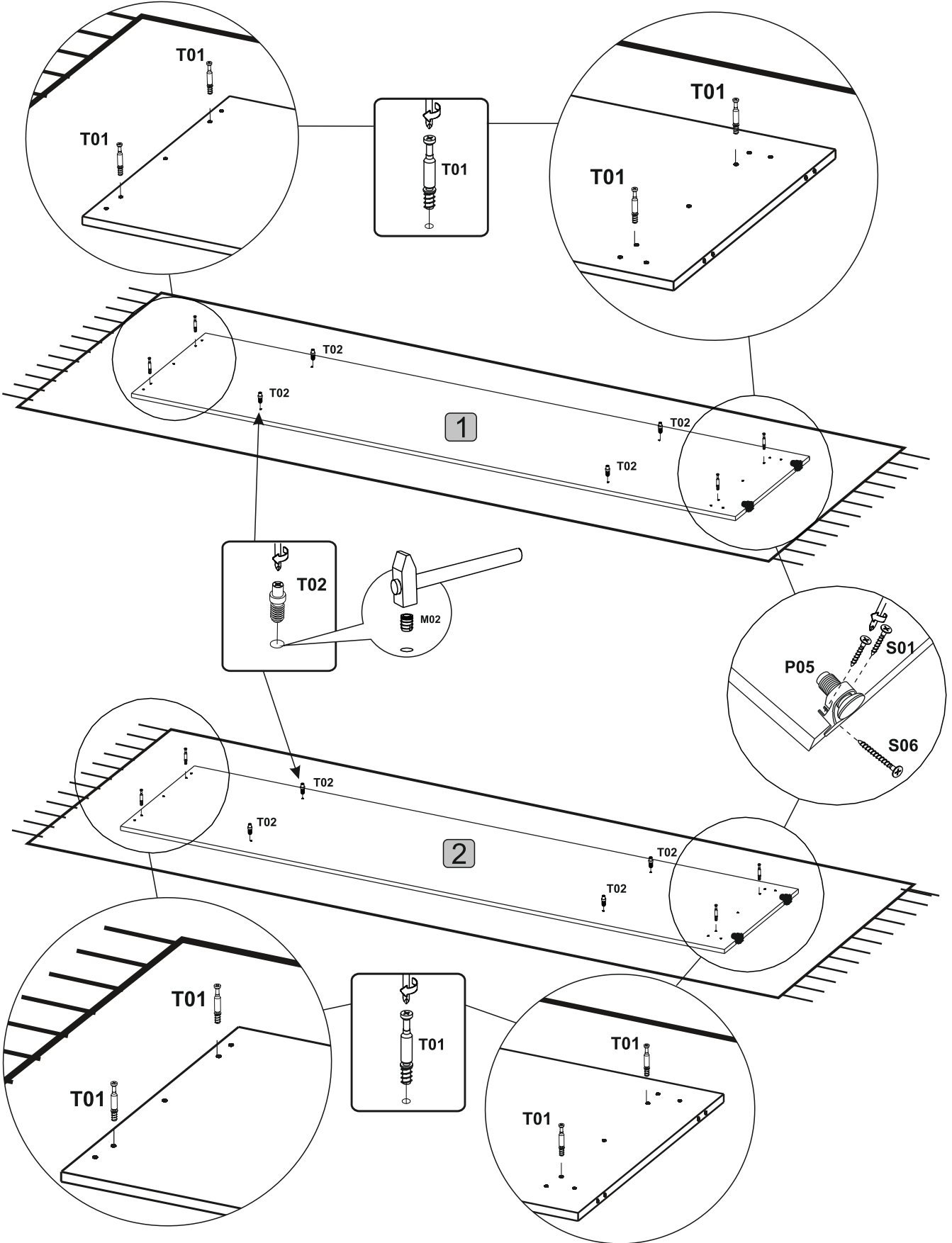
| | | |
|----------------|----------------|--------------------------|
| 2x FD21 | 2x FD22 | 3,5x15 2x FD23 |
|----------------|----------------|--------------------------|

| | | | | | | |
|--------------------------|--------------------------|-------------------------|--------------------------|--------------------------|--|-------------------------|
| L=2358 1x NV01 | L=2354 1x NN01 | L=770 2x SH01 | L=2232 2x RP03 | L=2232 4x RP01 | L=2500 2x 6MM 2x 12MM CH01 | L=772 8x PS01 |
|--------------------------|--------------------------|-------------------------|--------------------------|--------------------------|--|-------------------------|




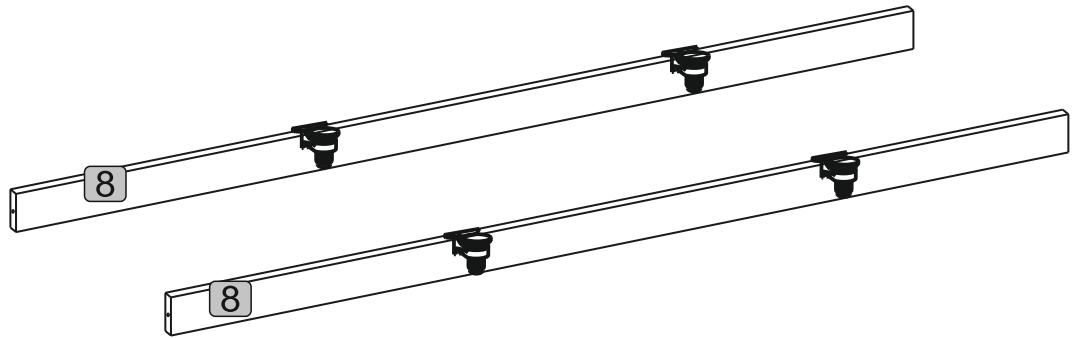
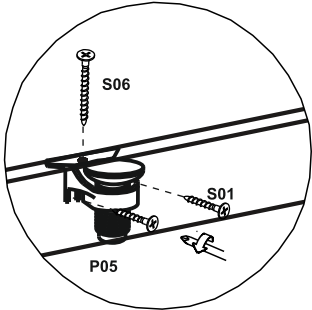
1

| | | | | | |
|-------------------|-------------------|-------------------|---------------------|---------------------|-----------|
| 6x34 8x T01 | 6x12 8x T02 | 8x12 8x M02 | 3,5x30 4x S06 | 3,5x16 8x S01 | 4x P05 |
|-------------------|-------------------|-------------------|---------------------|---------------------|-----------|




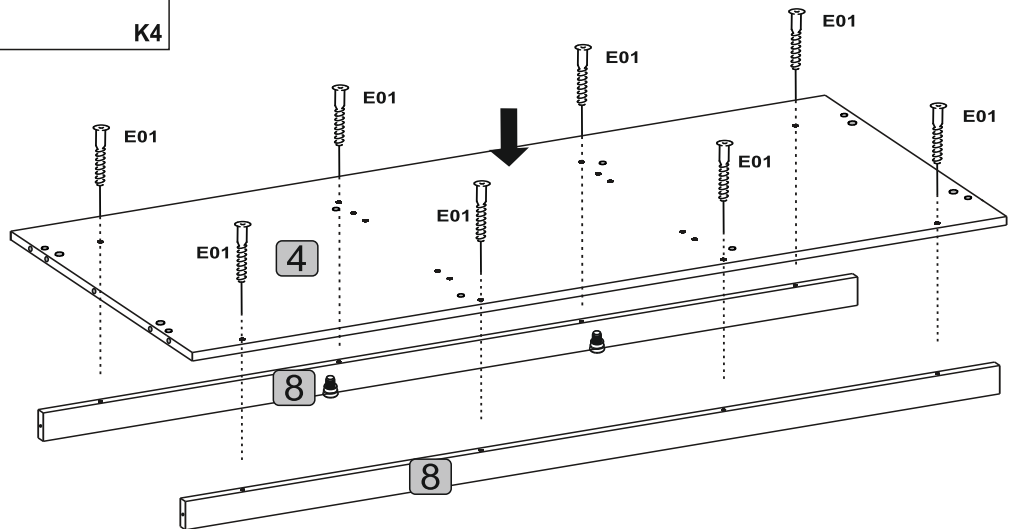
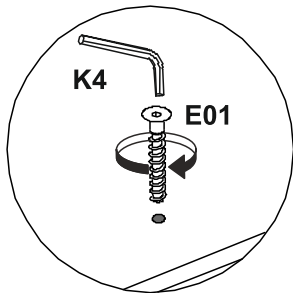
4

| | | |
|--------|--------|---|
| 3,5x30 | 3,5x16 |  |
| 4x | 8x | 4x |
| S06 | S01 | P05 |



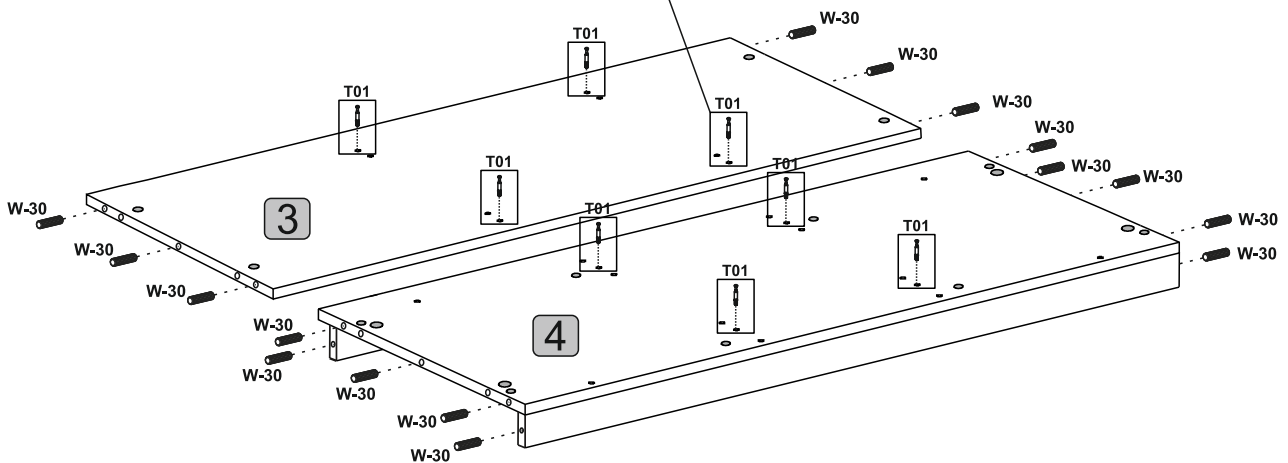
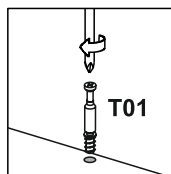
5

| | |
|------|---|
| 7x50 |  |
| 8x | 1x |
| E01 | K4 |

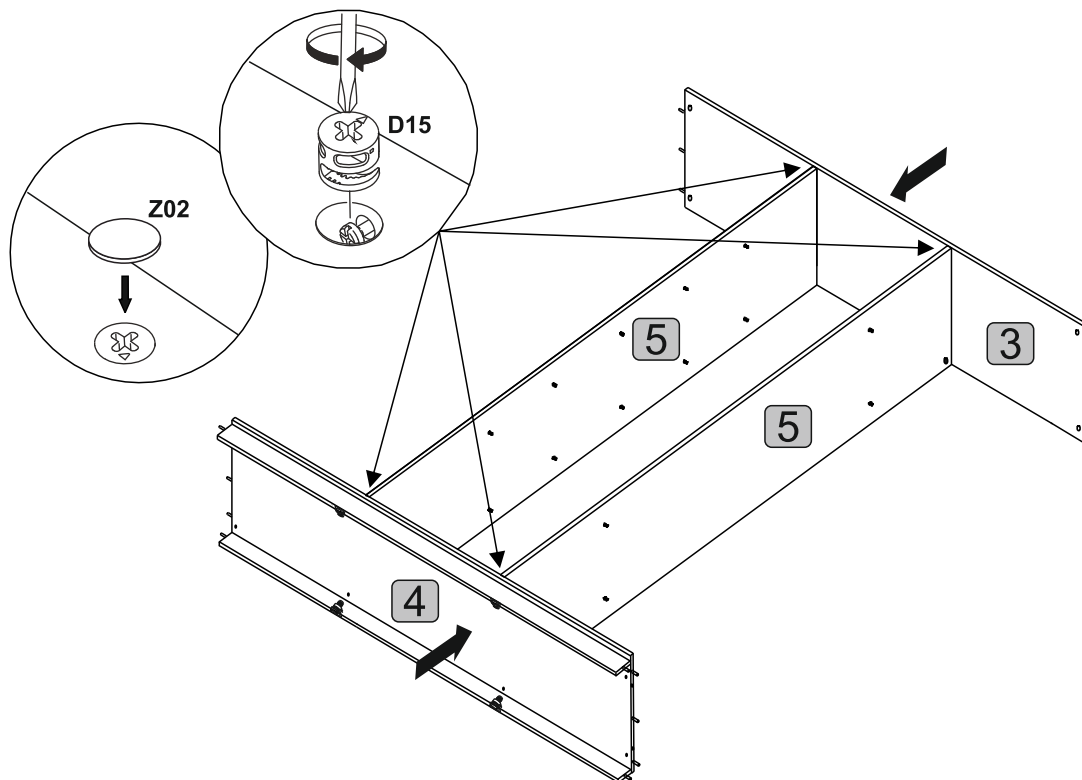
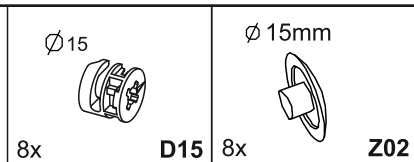


6

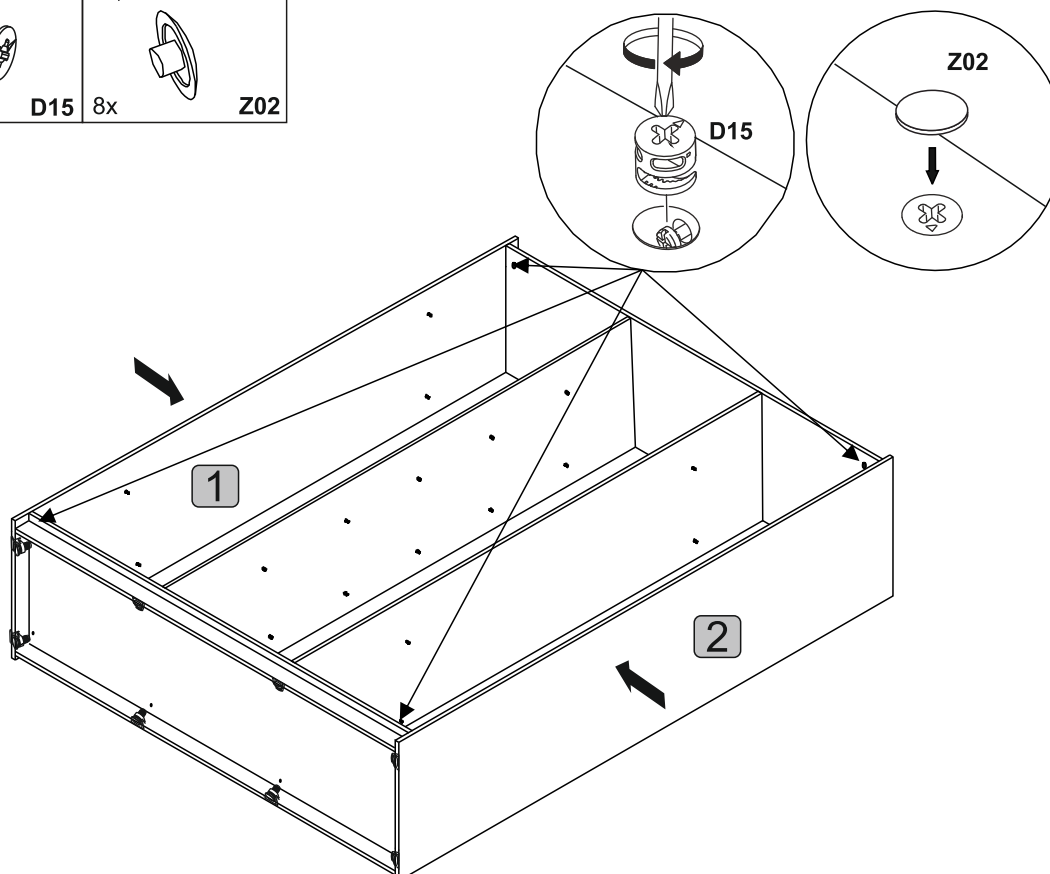
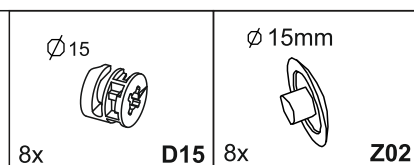
| | |
|------|------|
| 6x34 | 8x30 |
| 8x | 16x |
| T01 | W-30 |



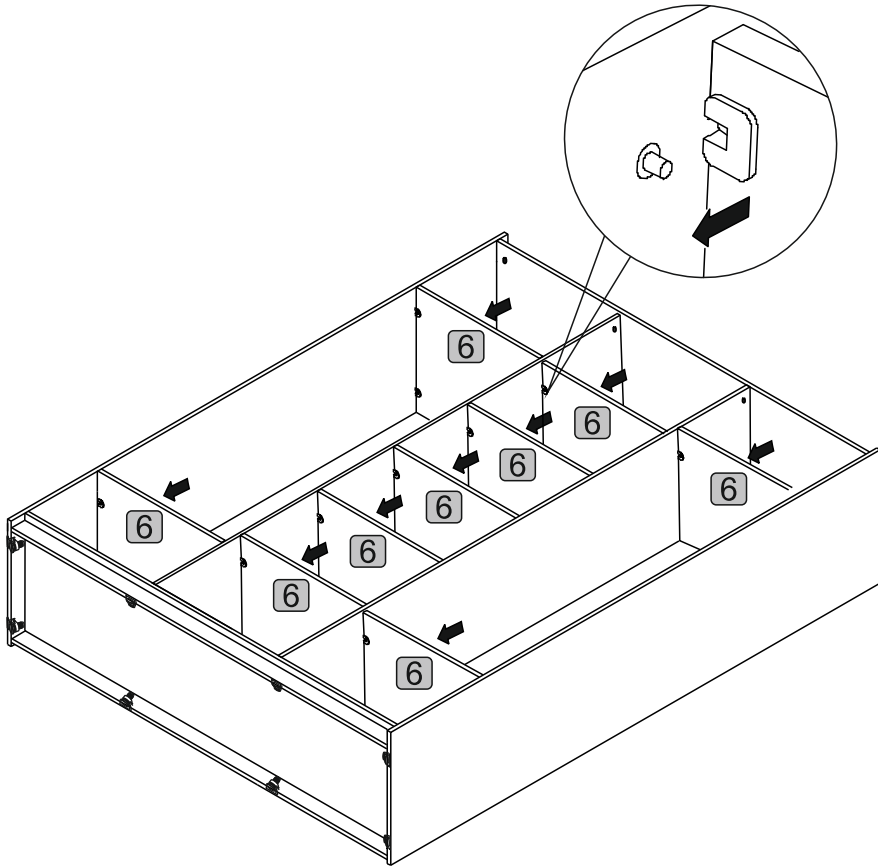
7



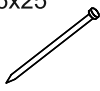


8



9



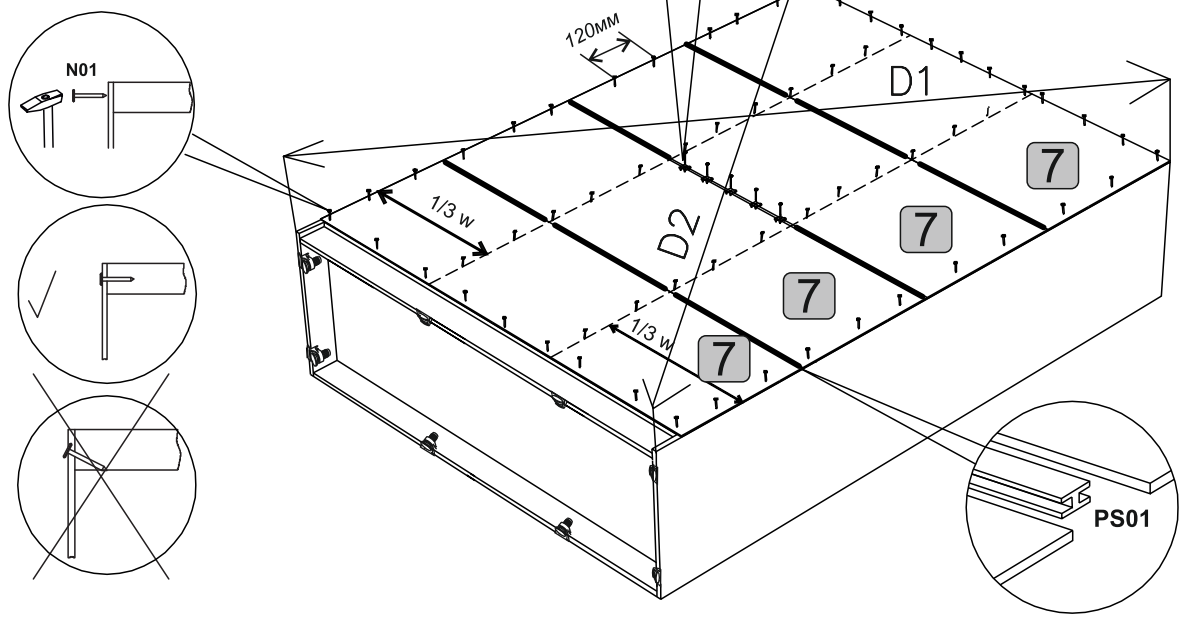
10

| | | |
|---|--|--|
| 1,6x25  90x N01 | 2x25  5x N02 |  5x N03 |
|---|--|--|

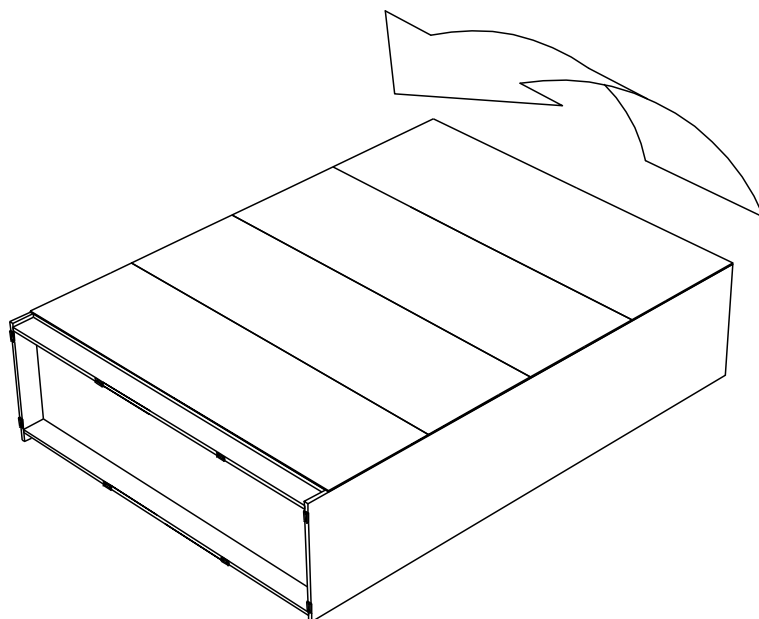
L=772

8x
PS01

D1=D2



11



12

3,5x16



8x

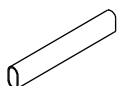
S01

4x



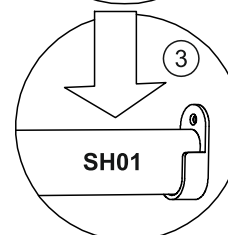
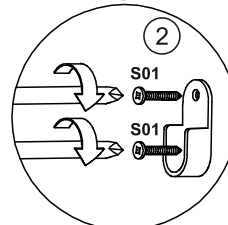
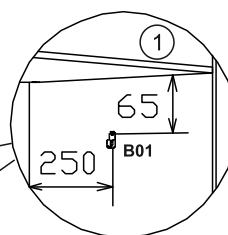
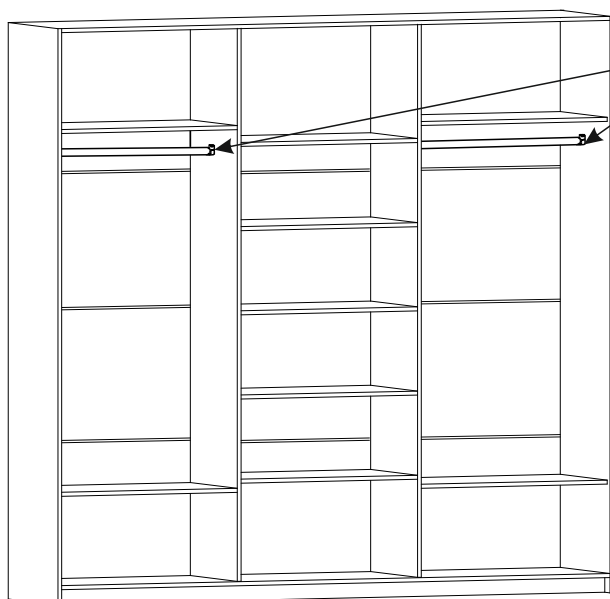
B01

L=770

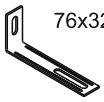






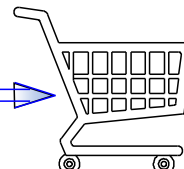
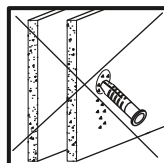
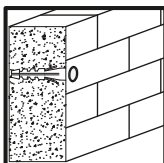
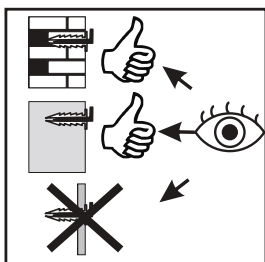
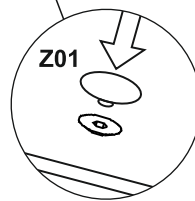
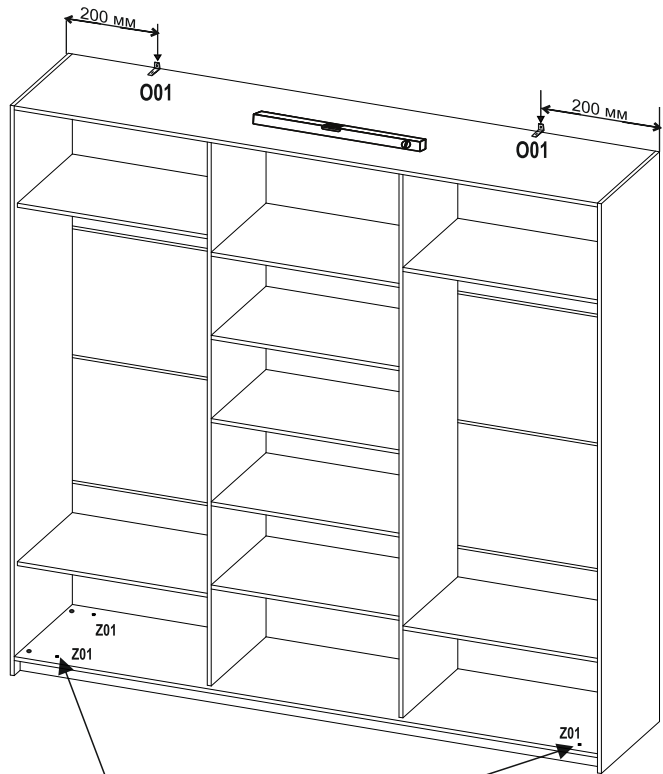
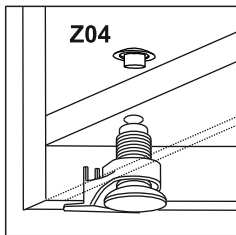
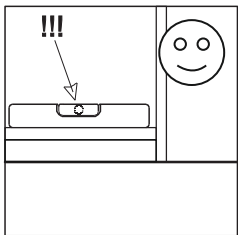
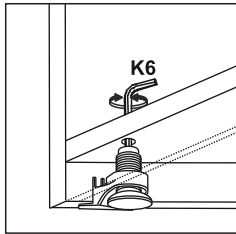
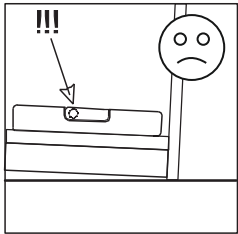
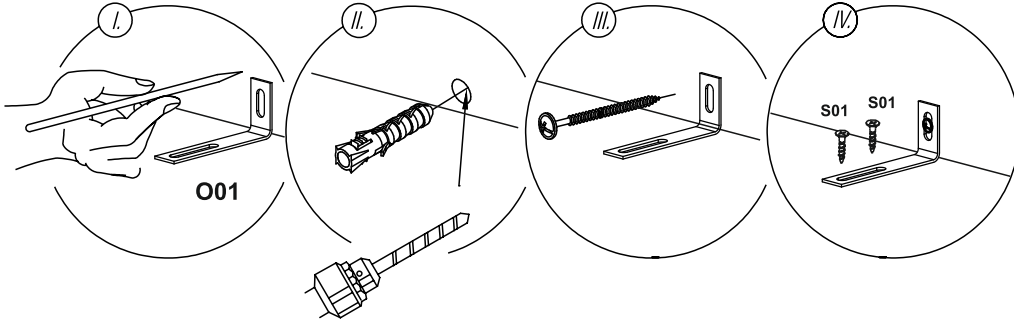
2x

SH01



13

| | | | | |
|--|---|---|---|--|
|  76x32 2x O01 |  3,5x16 4x S01 |  ø4mm 4x Z01 |  6 mm 1x K6 |  ø 8mm 8x Z04 |
|--|---|---|---|--|



14

Hettich

3,5x25



14x

FR32

3,5x16



22x

FR33

2x

FR28

2x

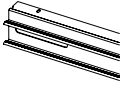
FR29

2x

FR27



L=2358



1x

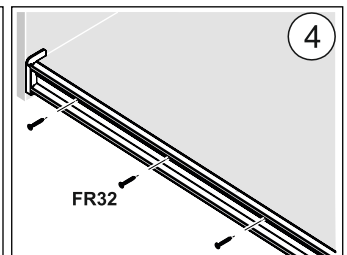
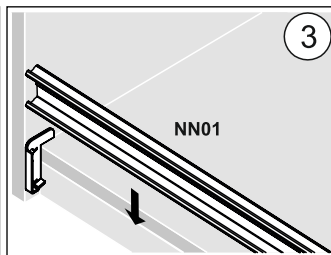
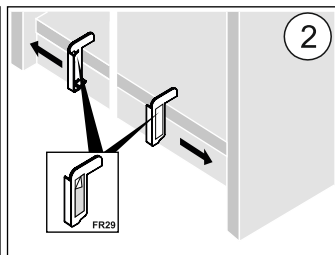
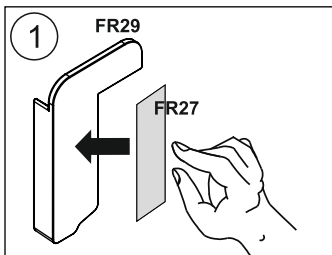
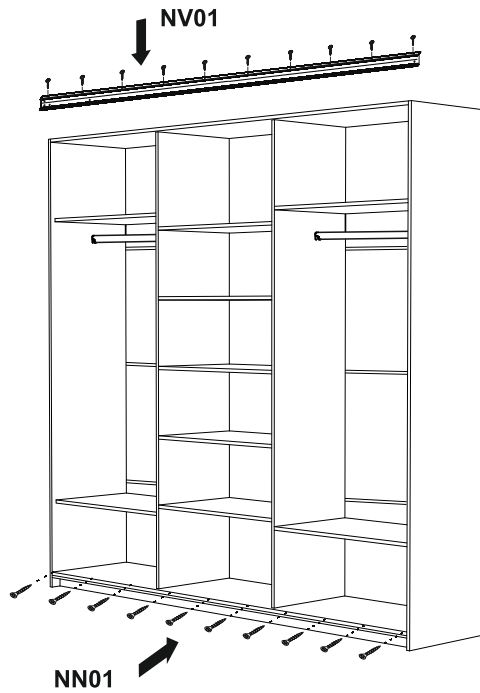
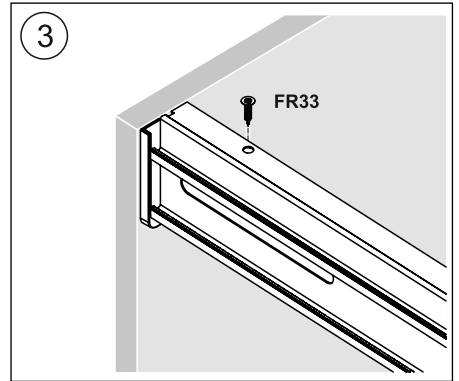
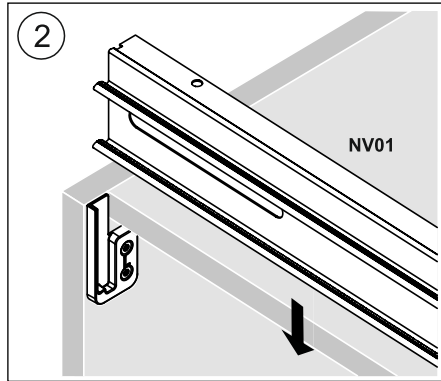
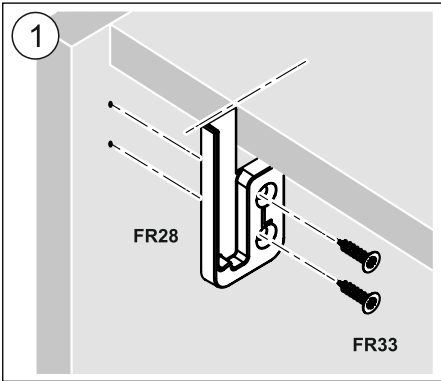
NV01

L=2354



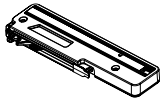



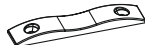
1x

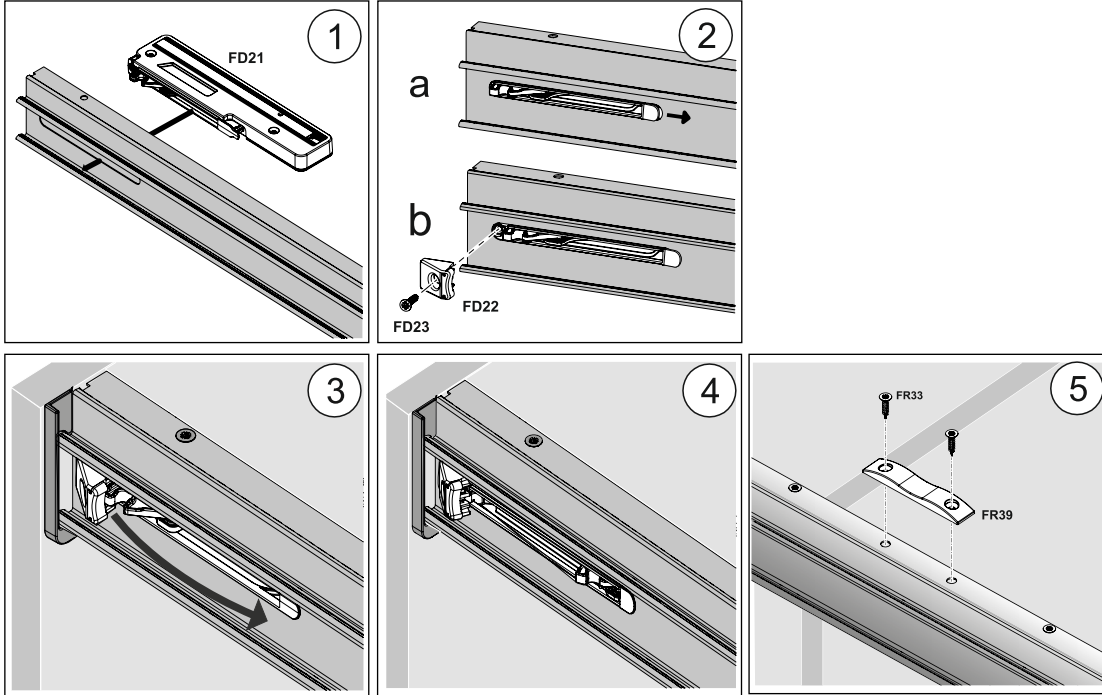
NN01



15

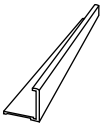
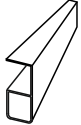
Hettich

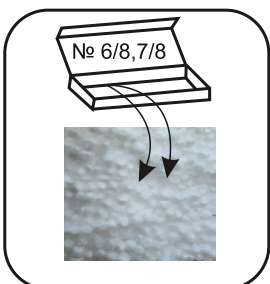
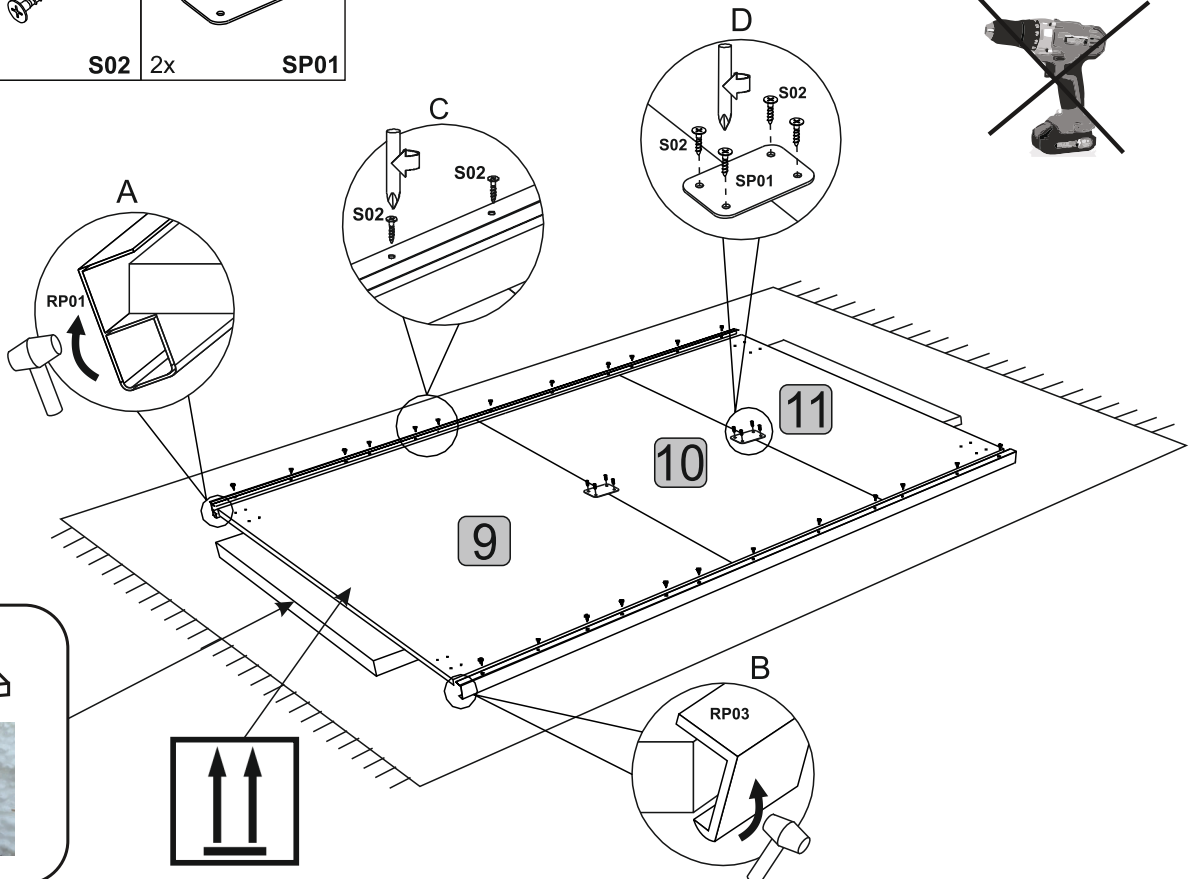
| | | | | |
|---|---|---|--|---|
|  |  |  |  |  |
| 2x FD21 | 2x FD22 | 2x FD23 | 24x FR33 | 1x FR39 |



16

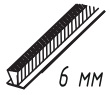
| | |
|---|---|
|  |  |
| 32x S02 | 2x SP01 |

| | |
|---|----------------|
| L=2232  | 1x RP03 |
| L=2232  | 1x RP01 |

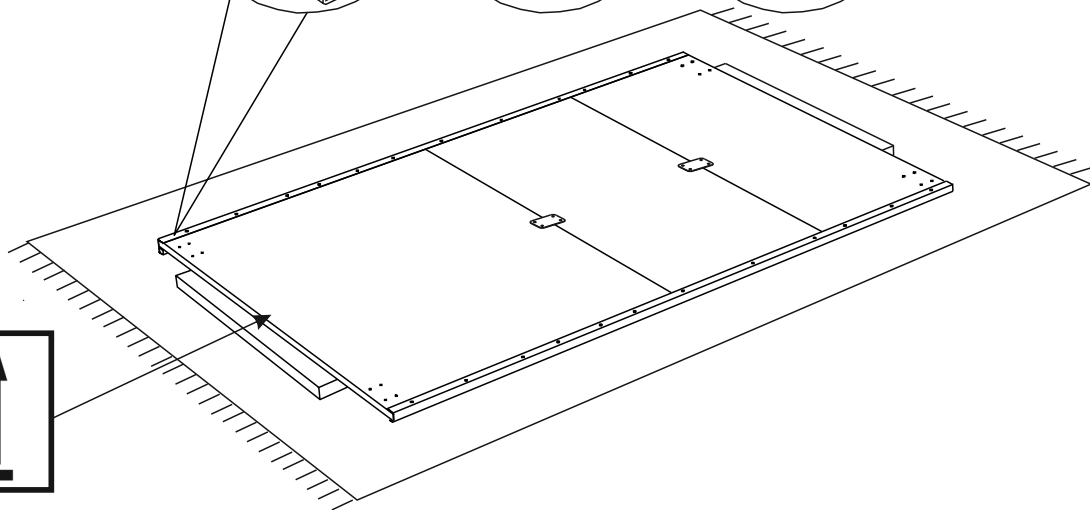
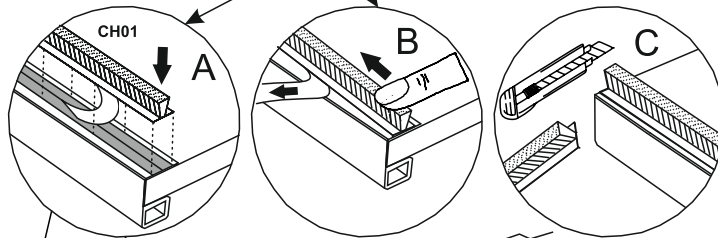


17

L=2500



1x CH01



18



1x FR20



1x FR21



2x FR25

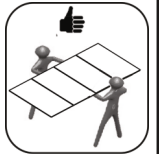


2x FR26

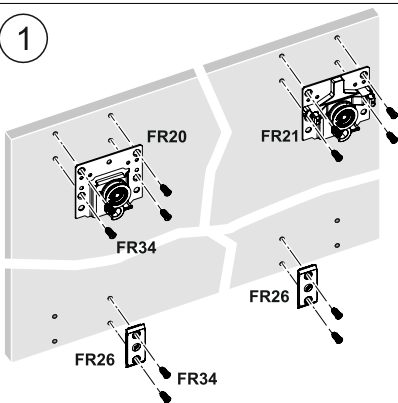
6,3x12,5



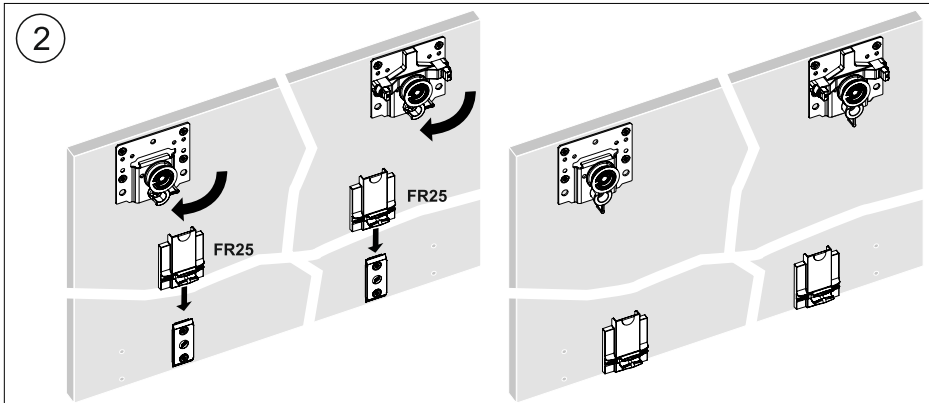
12x FR34



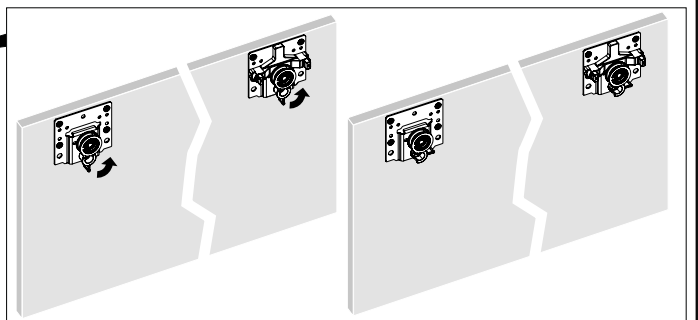
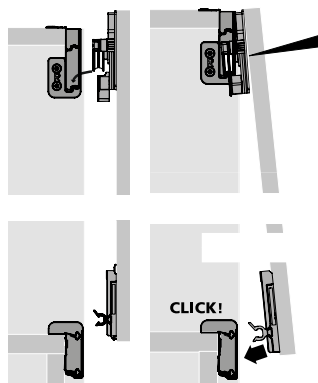
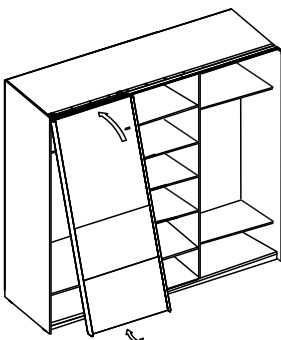
1



2



3



19

3,5x12



32x

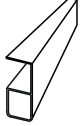
S02

2x

SP01

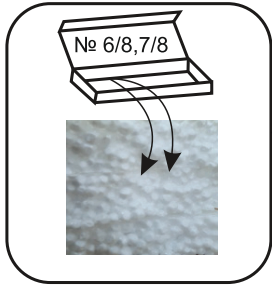
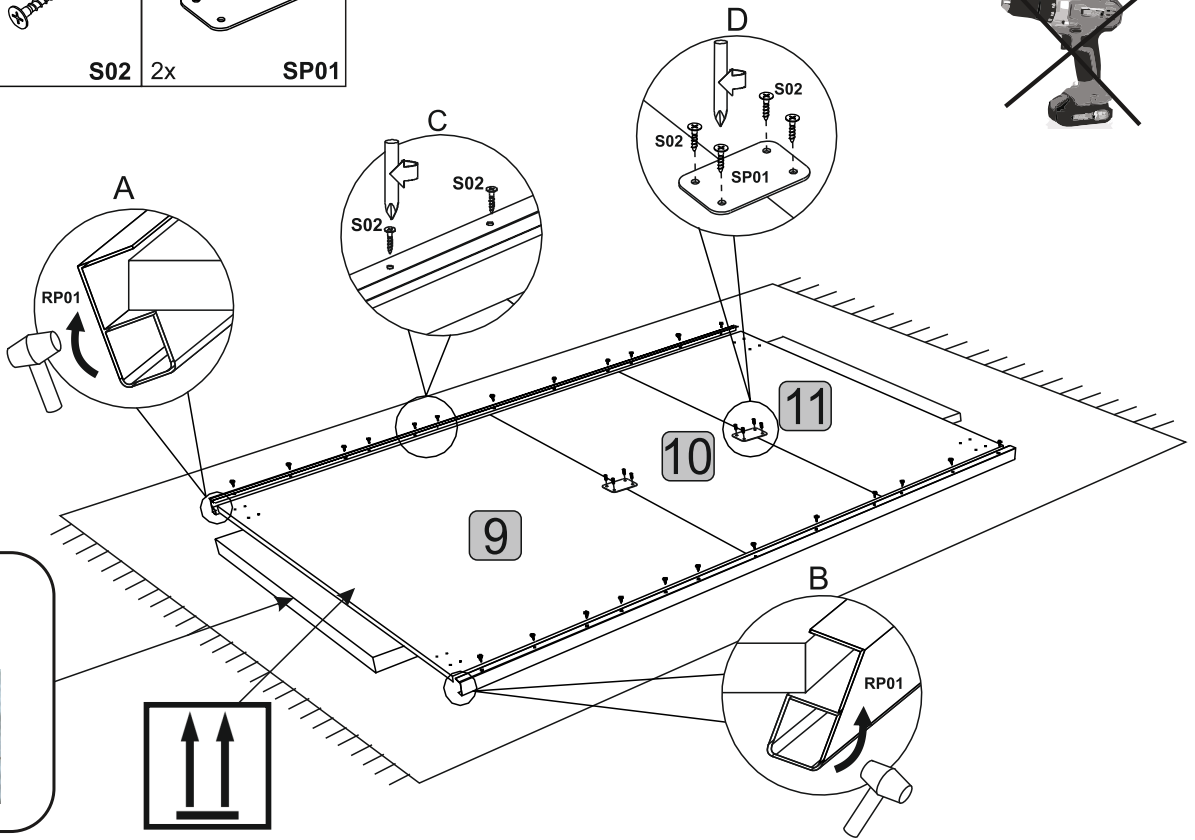


L=2232



2x

RP01



20

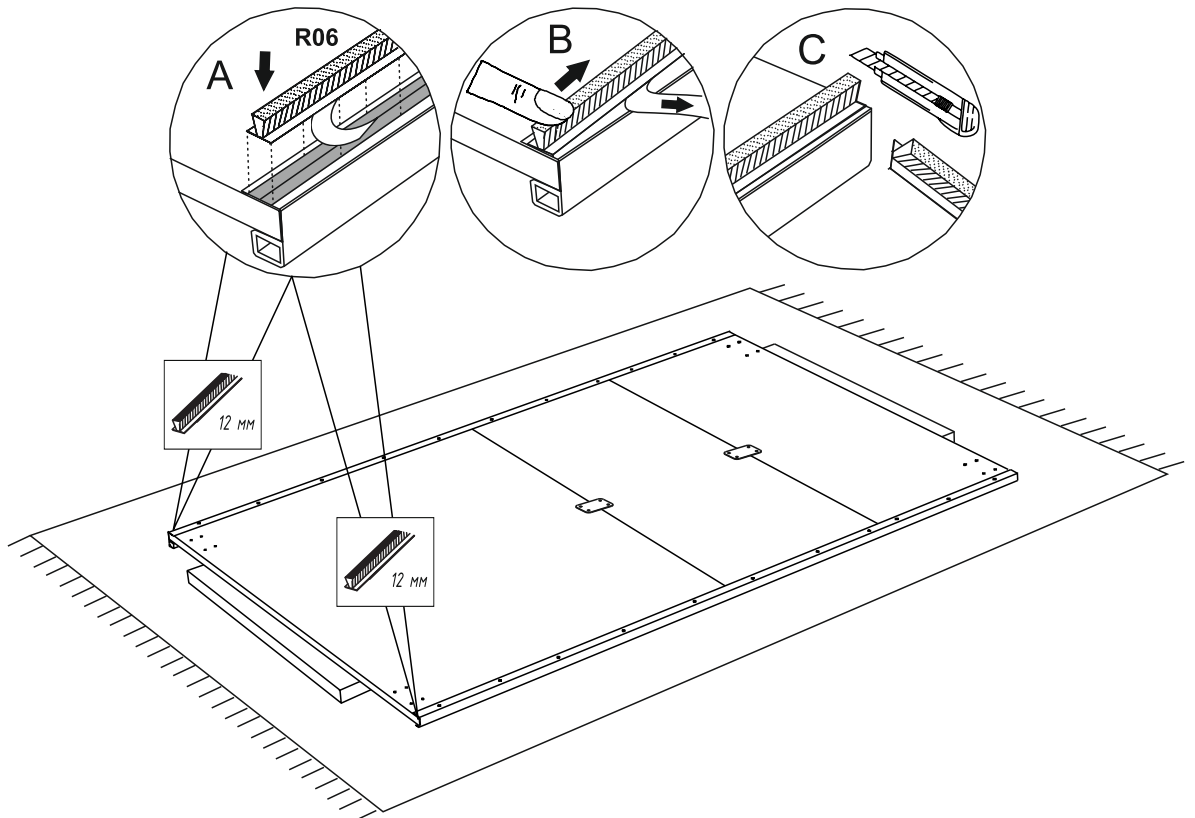
L=2500



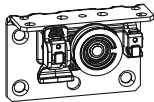
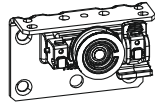
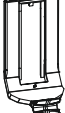




12 MM

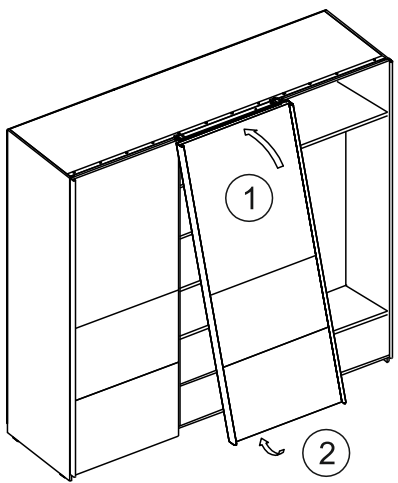
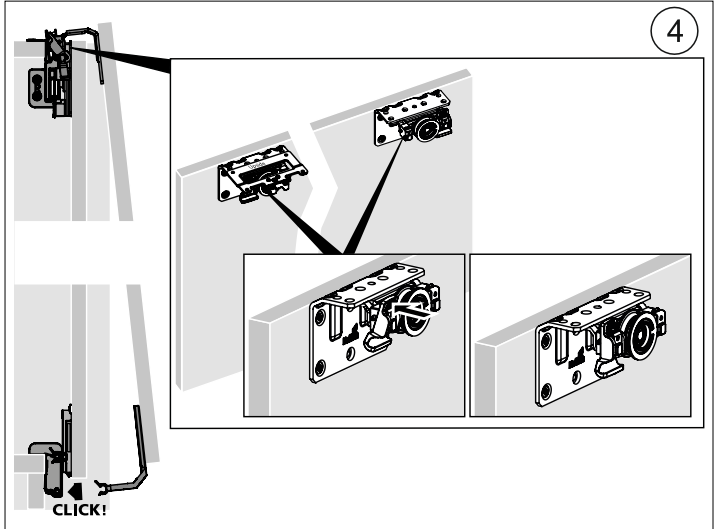
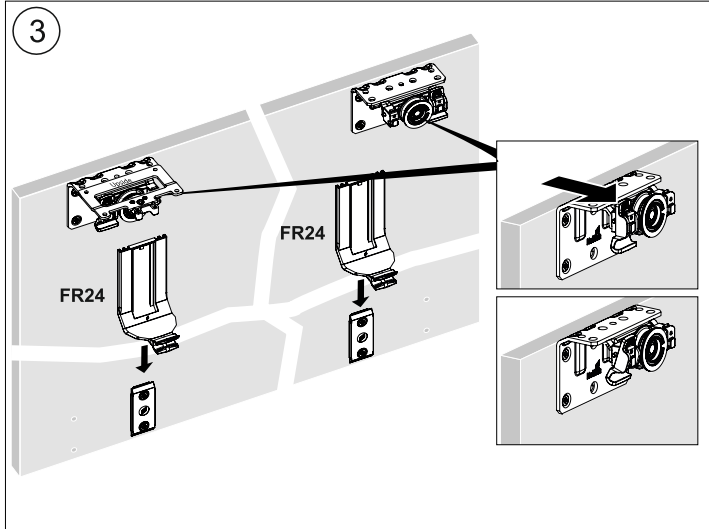
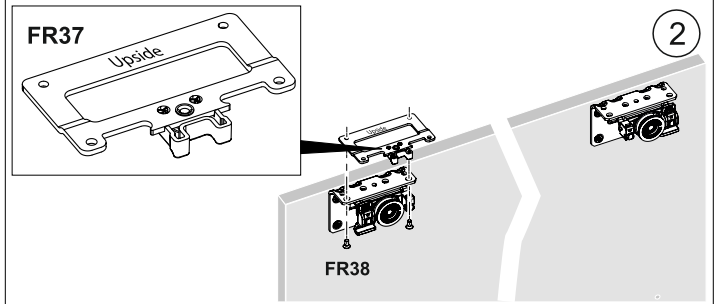
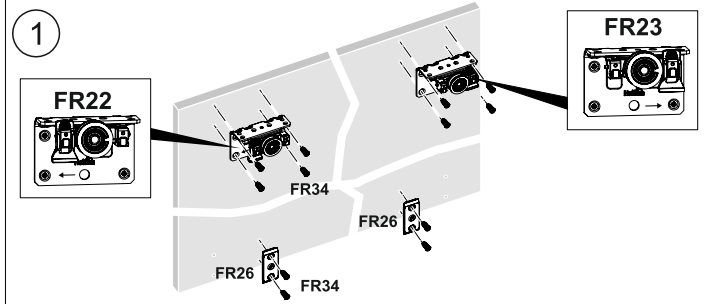
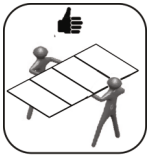
2x

CH01



21

| | | | | |
|---|---|---|---|--|
|  1x FR22 |  1x FR23 |  2x FR24 |  2x FR26 |  12x FR34 |
|  1x FR37 |  2x FR38 | | | |



22

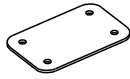
3,5x12



32x

S02

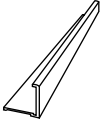
x



SP01

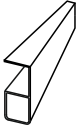


L=2232

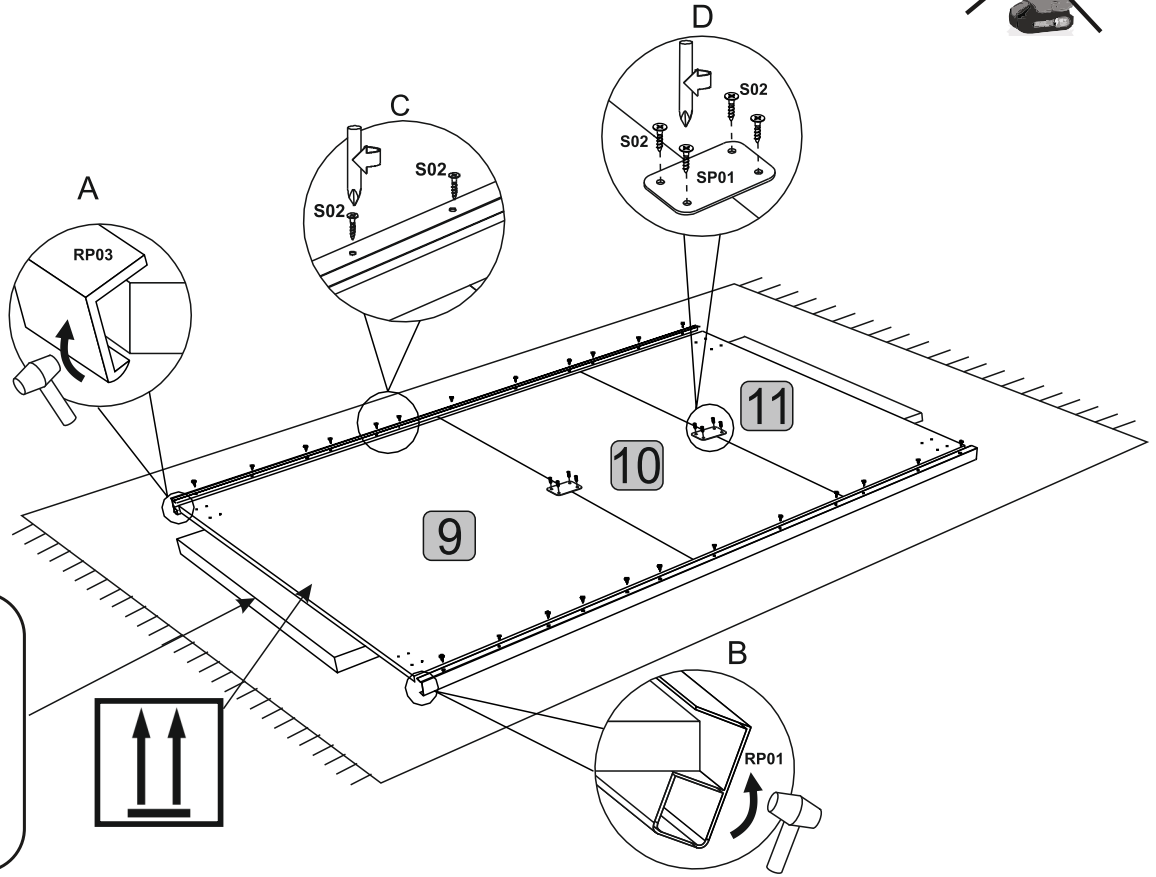


1x RP03

L=2232



1x RP01

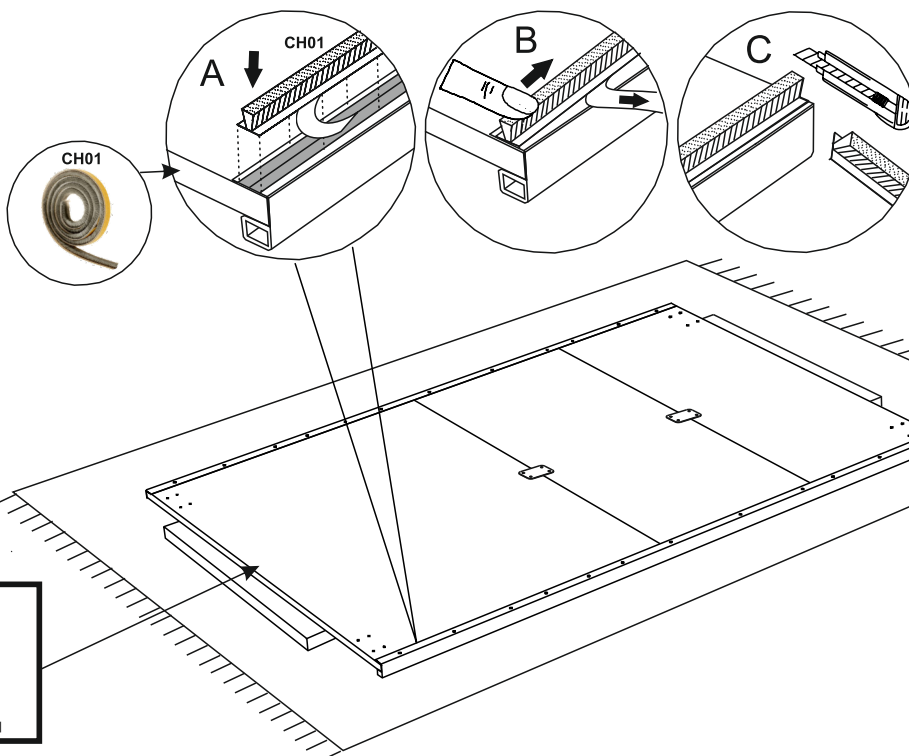


23

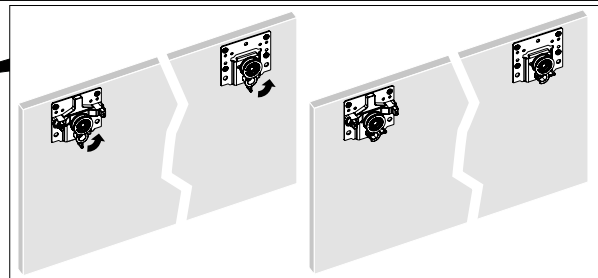
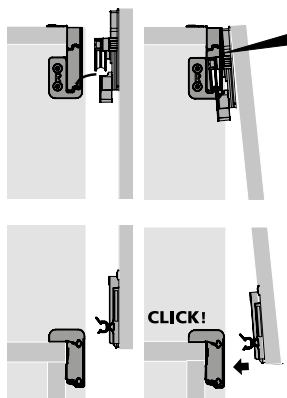
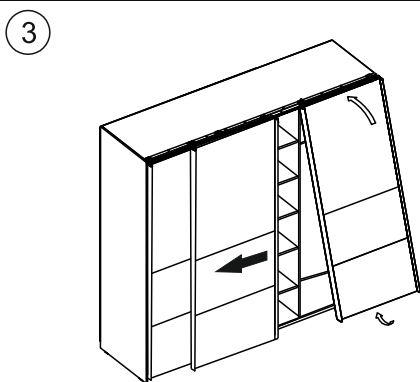
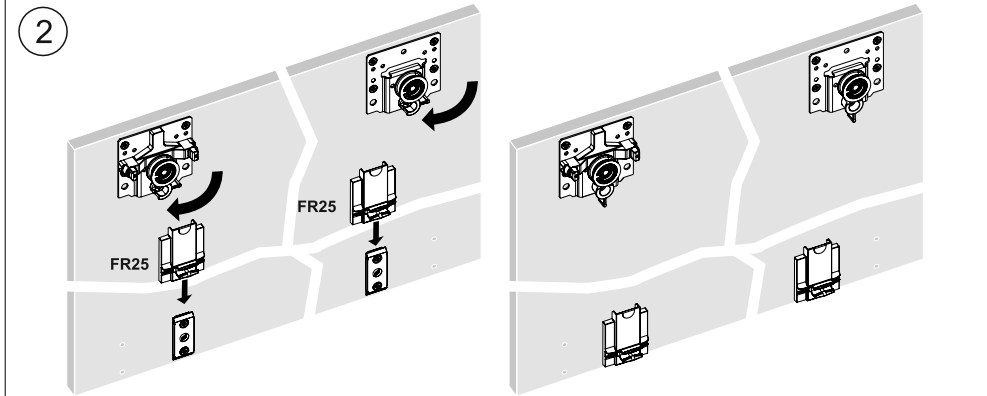
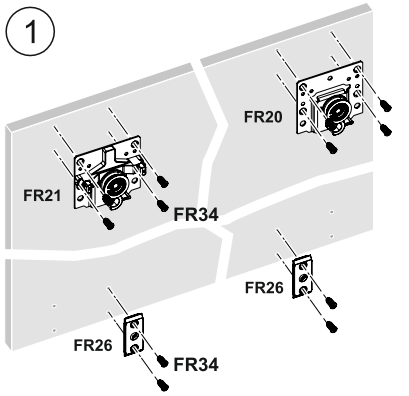
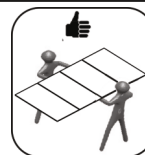
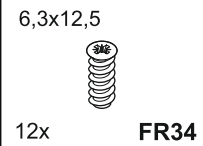
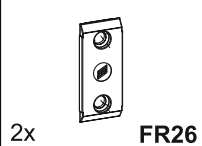
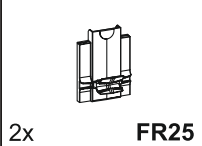
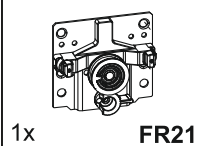
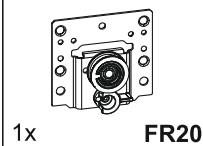
L=2500



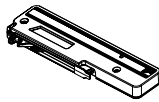




1x CH01

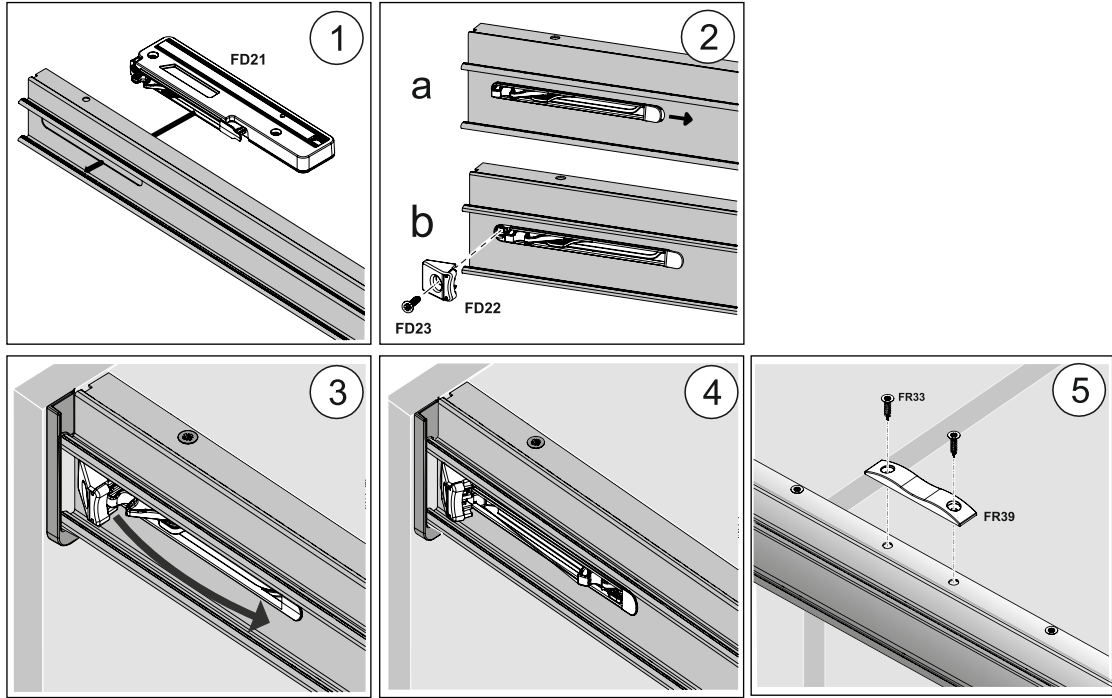


24





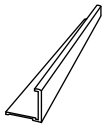
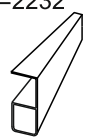
25

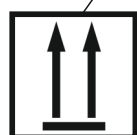
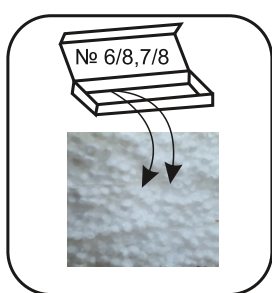
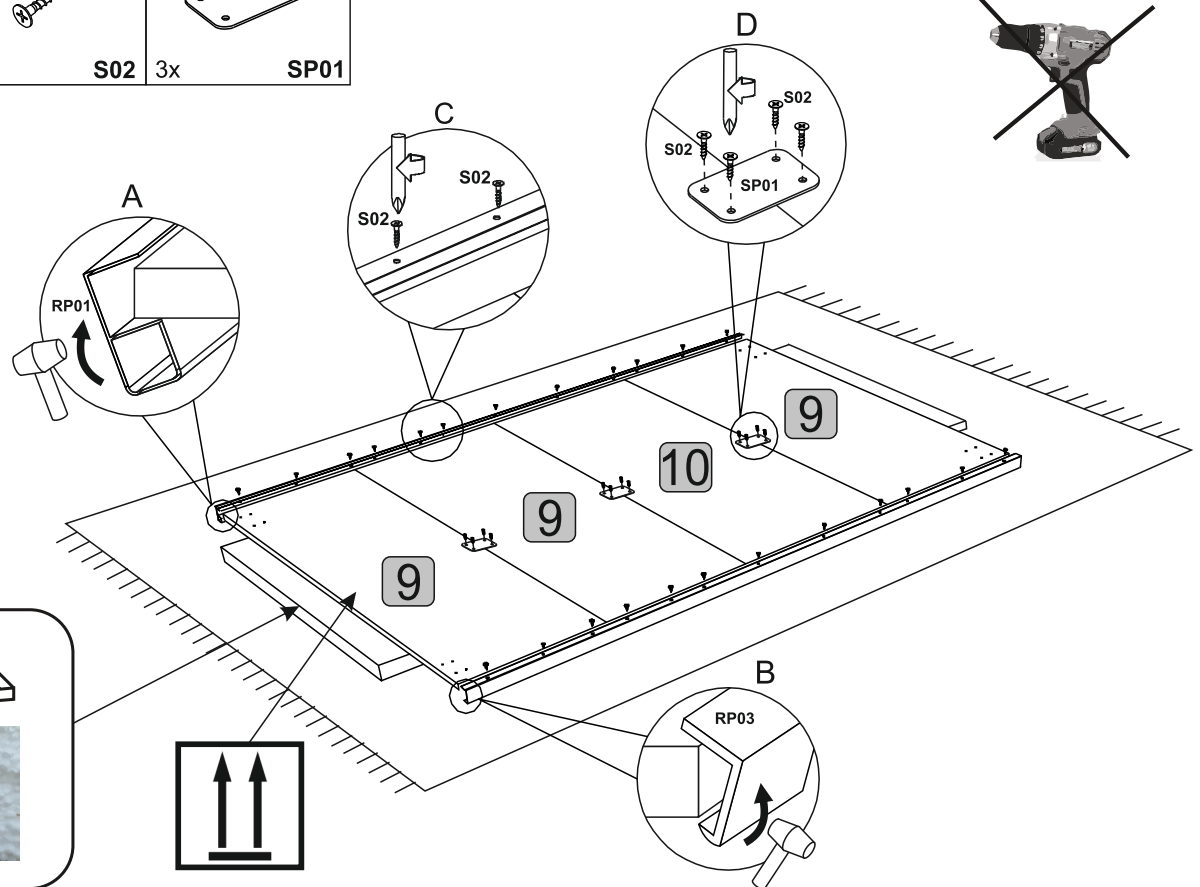
| | | | | |
|---|---|---|--|---|
| Hettich | | | | |
|  |  | 3,5x15  | 3,5x16  |  |
| 2x FD21 | 2x FD22 | 2x FD23 | 24x FR33 | 1x FR39 |



26

| | |
|---|---|
| 3,5x12  |  |
| 36x S02 | 3x SP01 |

| |
|---|
| L=2232  |
| 1x RP03 |
| L=2232  |
| 1x RP01 |

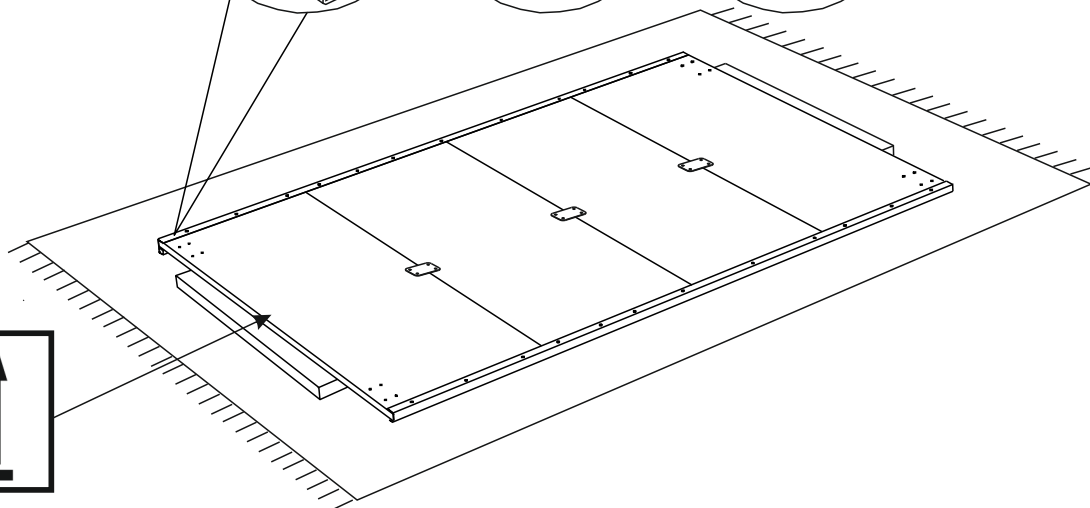
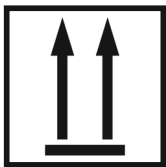
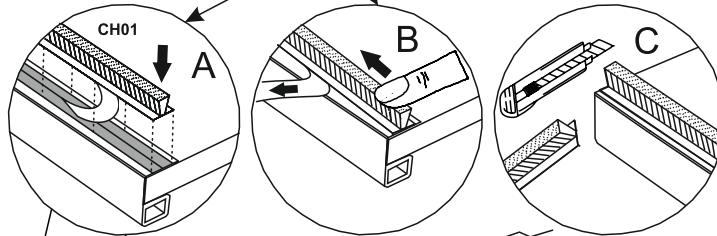


27

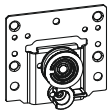
L=2500



1x CH01

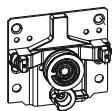


28



1x

FR20



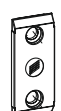
1x

FR21



2x

FR25



2x

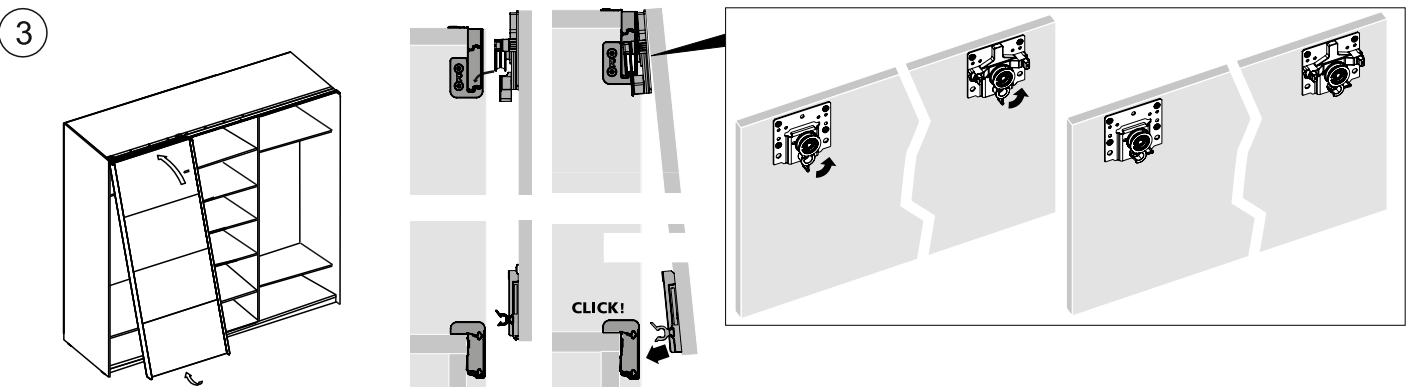
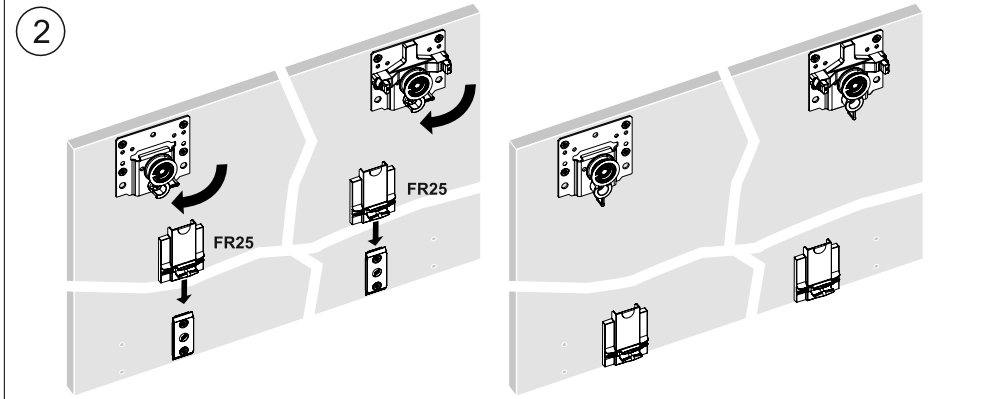
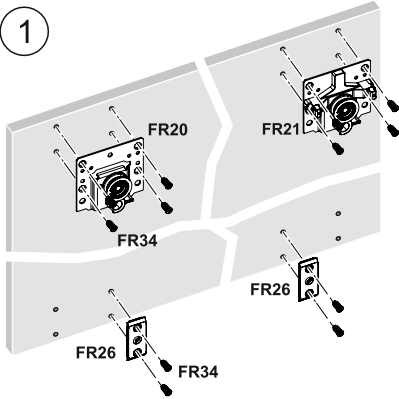
FR26

6,3x12,5



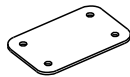
12x

FR34



29

3,5x12



36x

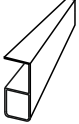
S02

3x

SP01

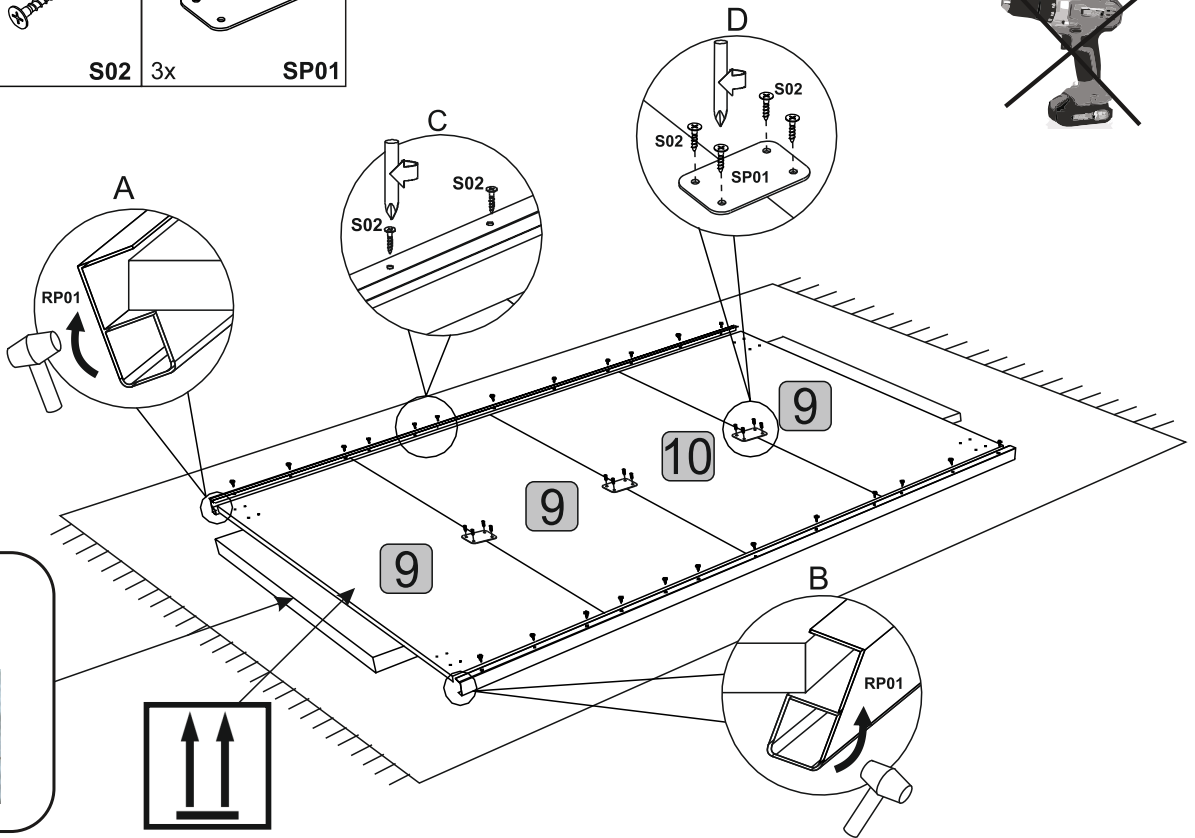


L=2232



2x

RP01



30

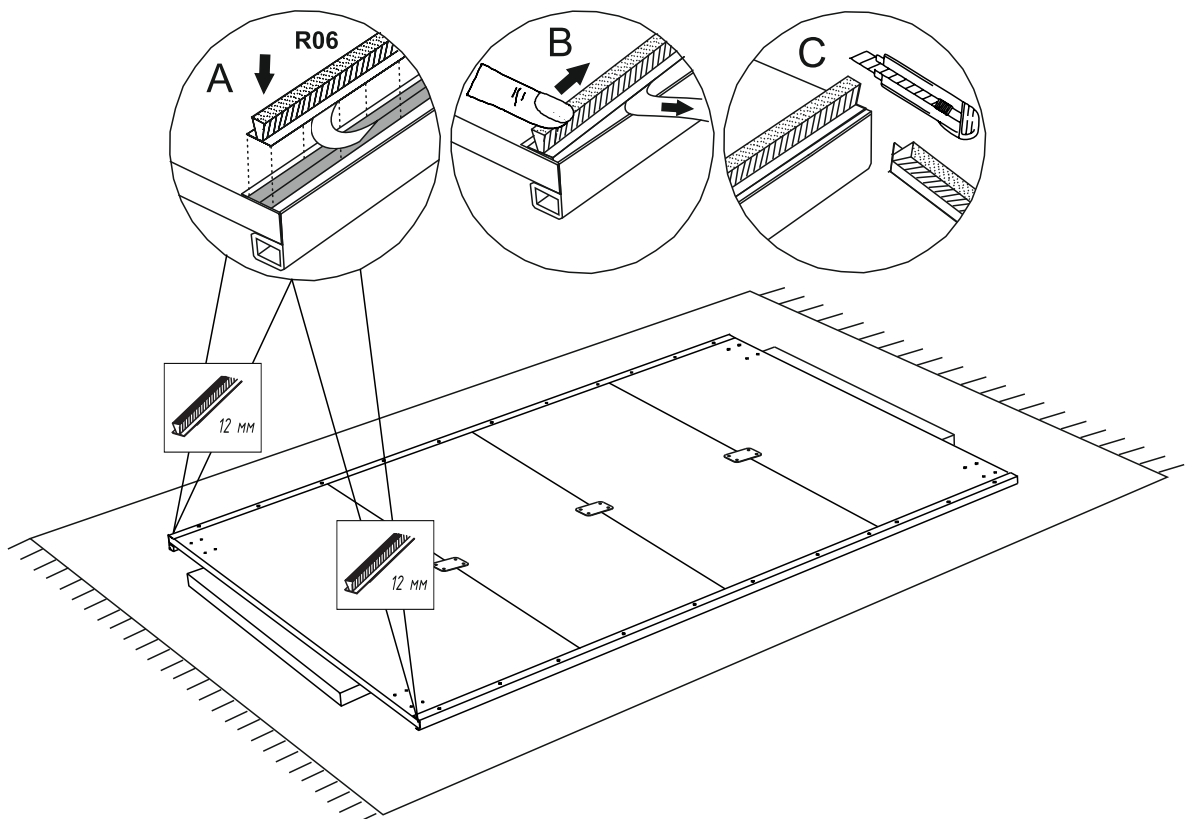
L=2500



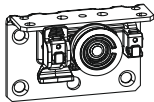
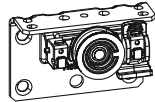
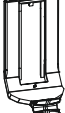




12 MM

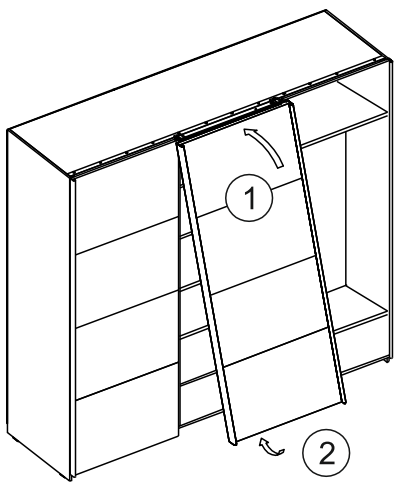
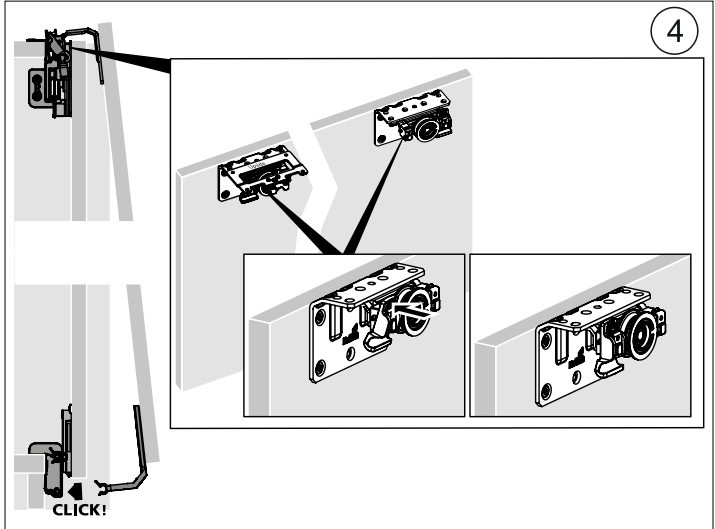
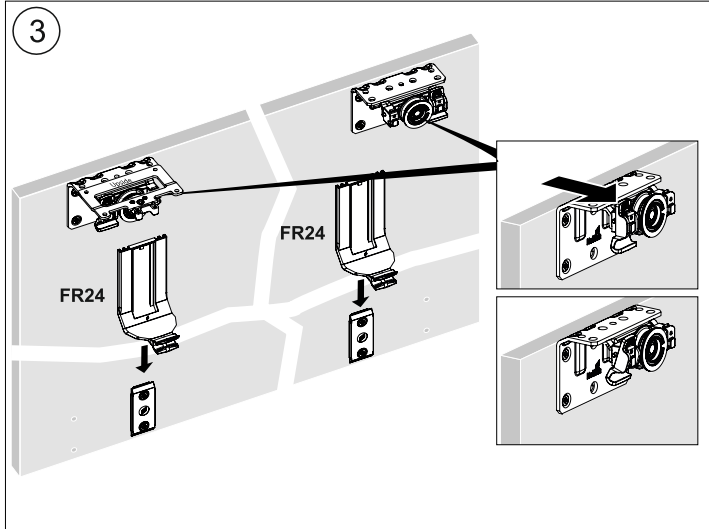
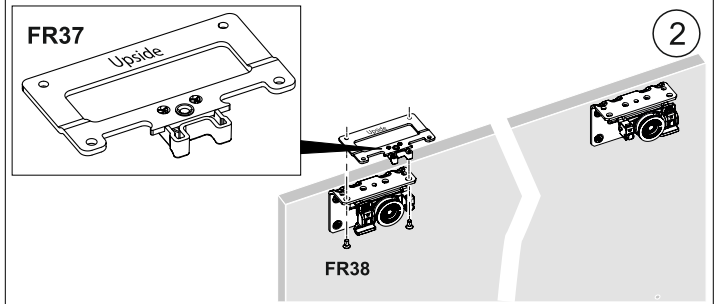
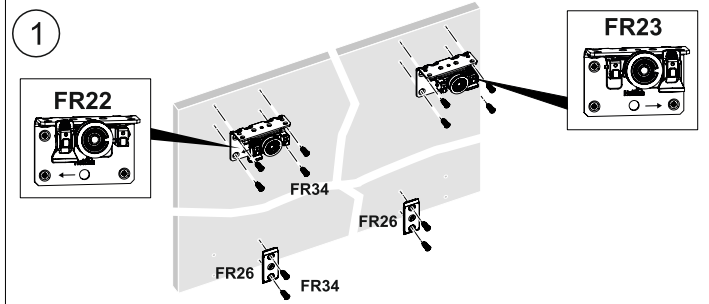
2x

CH01



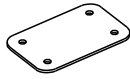
31

| | | | | |
|---|---|---|---|---|
| 1x  FR22 | 1x  FR23 | 2x  FR24 | 2x  FR26 | 6,3x12,5  FR34 |
| 1x  FR37 | M4x6  FR38 | | | |



32

3,5x12



36x

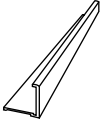
S02

3x

SP01

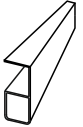


L=2232

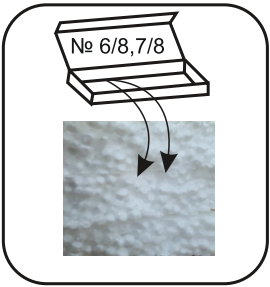
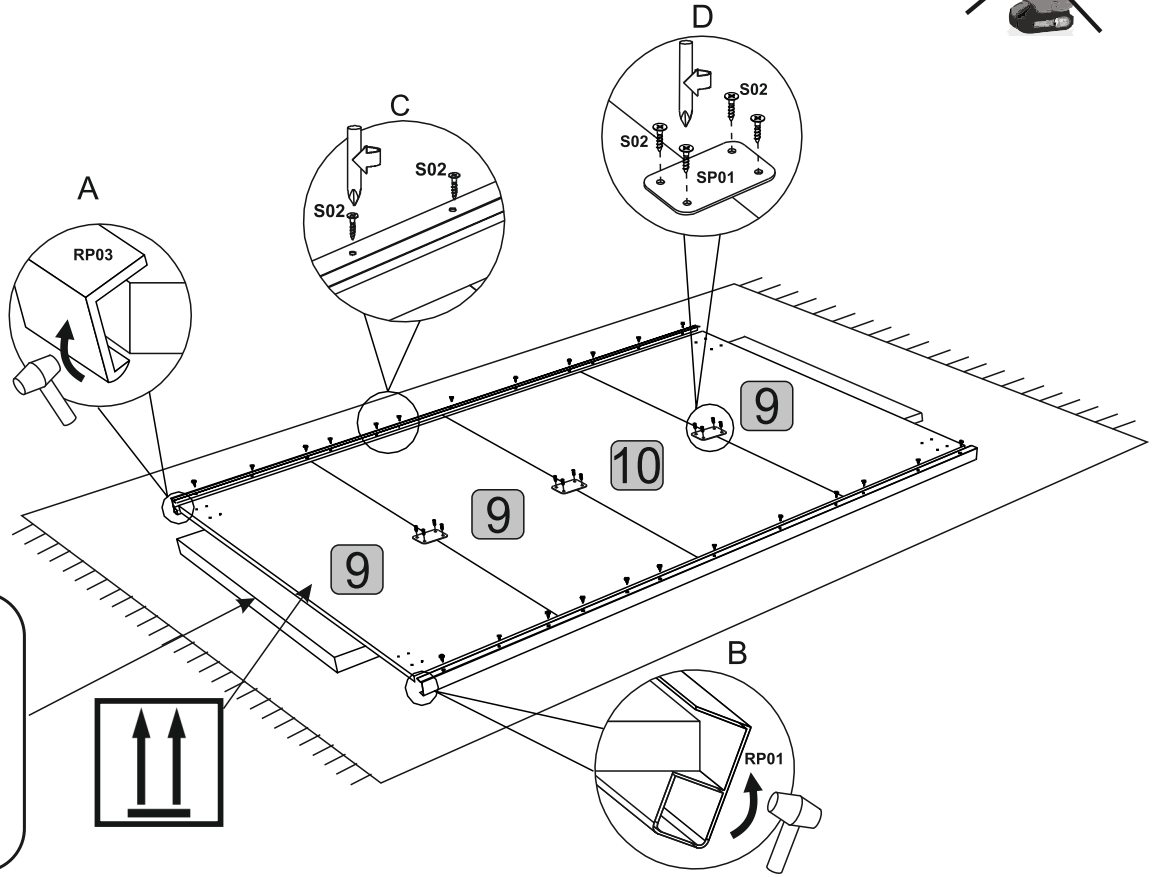


1x RP03

L=2232



1x RP01

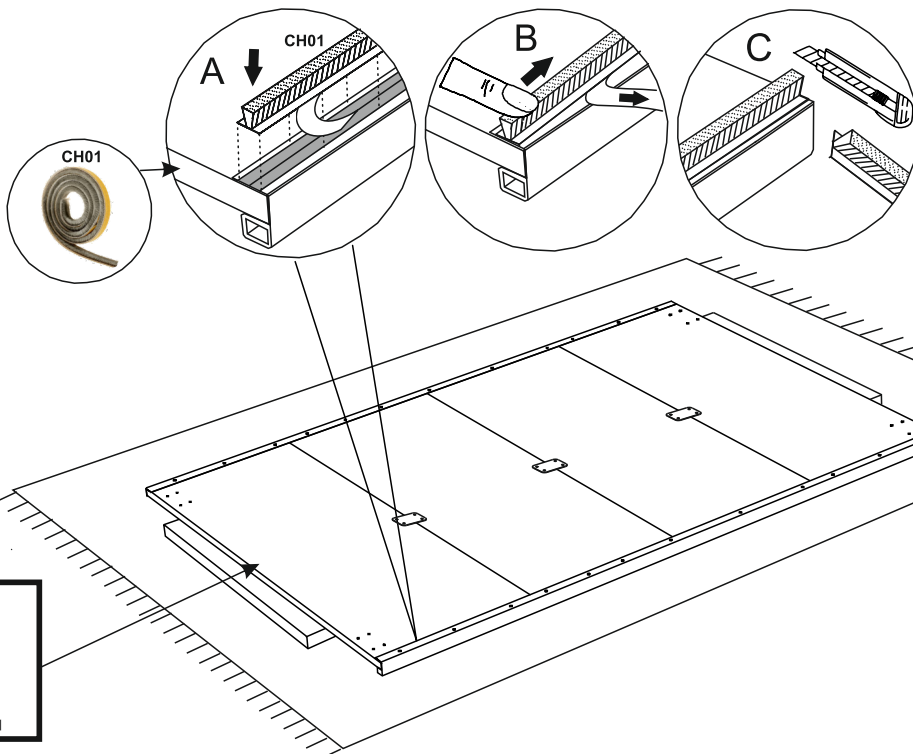


33

L=2500



1x CH01



34

